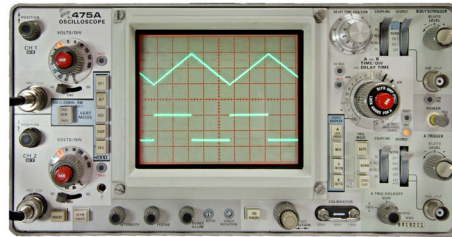


Tektronix 475A Oscilloscope Schematics

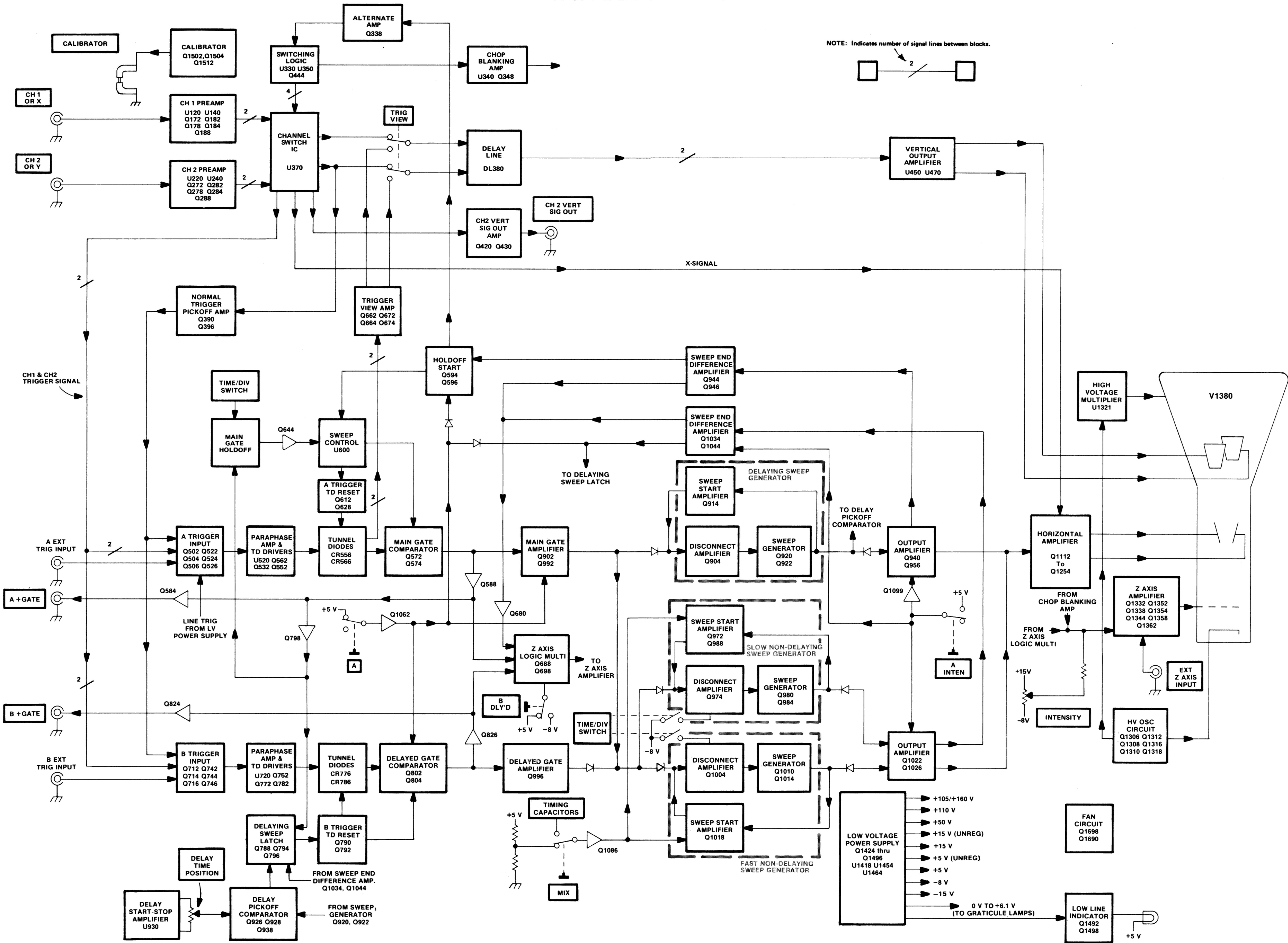
300dpi Resolution with Grayscale

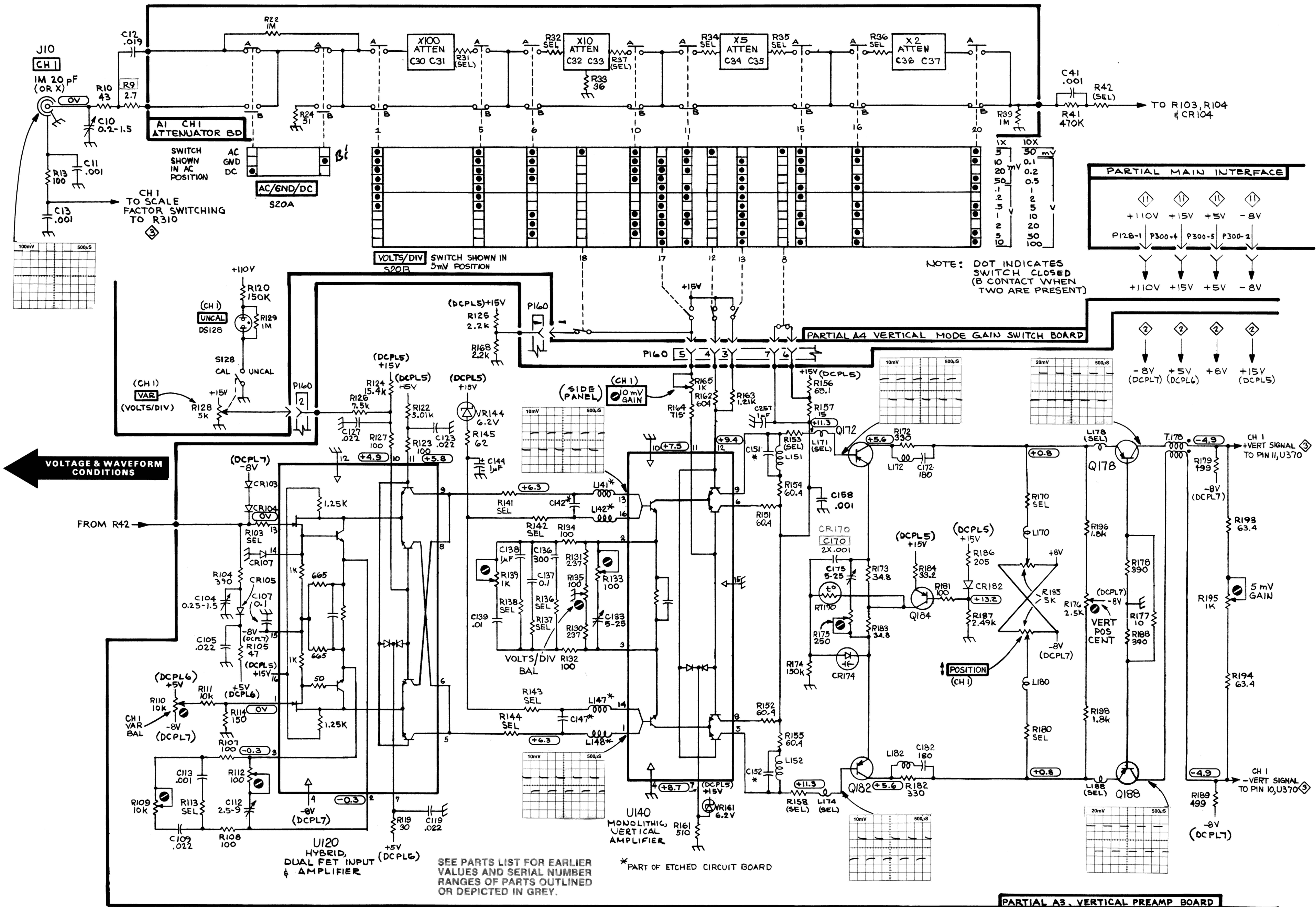


Contents

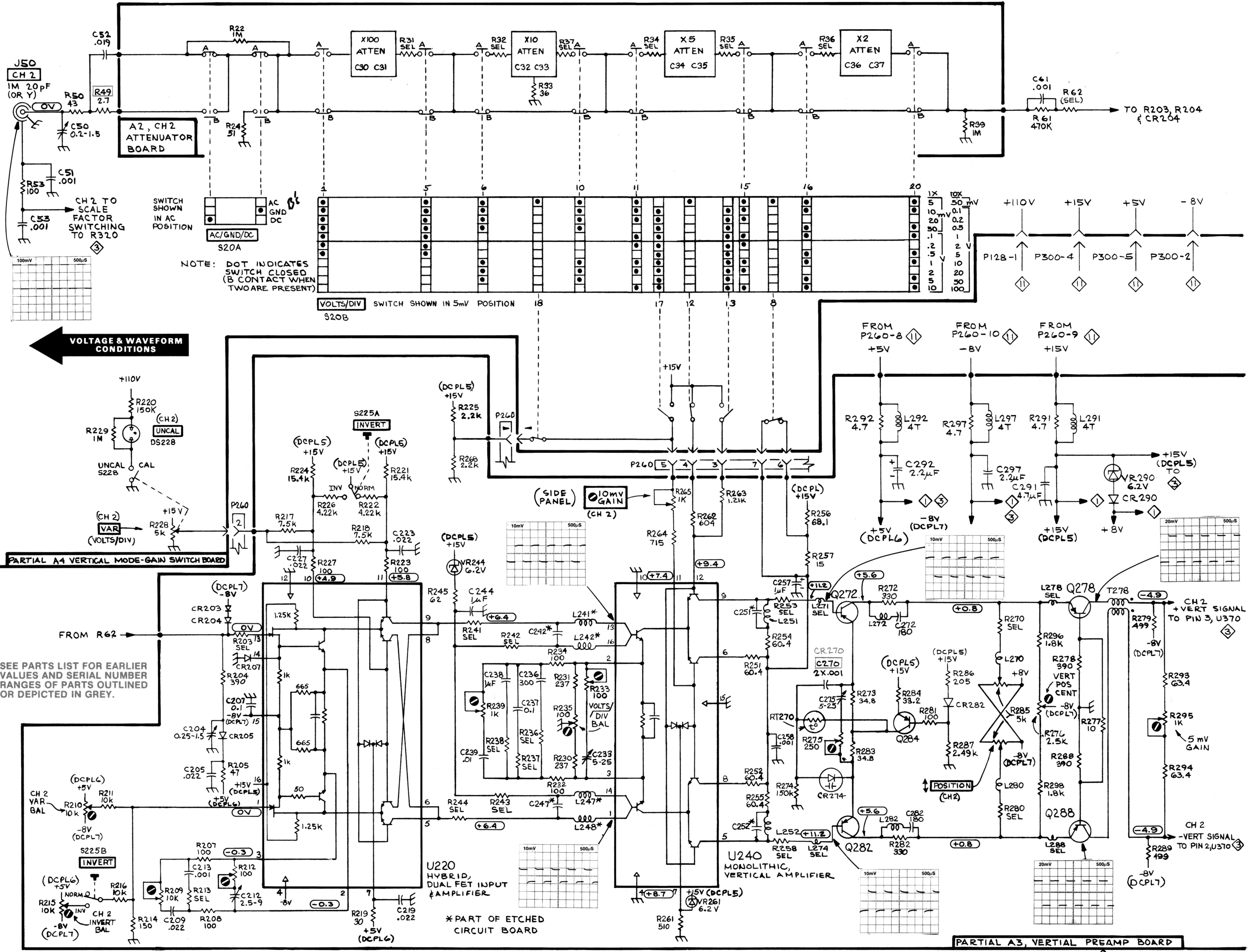
Block Diagram.....	2
Channel-1 Vertical Preamp.....	3
Channel-2 Vertical Preamp.....	4
Vertical Channel Switching.....	5
Vertical Output Amplifier.....	6
'A' Trigger Generator.....	7
'B' Trigger Generator.....	8
Sweep and Z-axis Logic.....	9
Sweep Generator.....	10
Timing and Horizontal Display Switching.....	11
Horizontal Amplifier.....	12
Low Voltage Power Supply.....	13
CRT Circuit and Z-axis Amplifier.....	14
Calibrator and Fan Circuit.....	15

475A BLOCK DIAGRAM





VOLTAGE & WAVEFORM CONDITIONS



NOTE: DOT INDICATES SWITCH CLOSED (B CONTACT WHEN TWO ARE PRESENT)

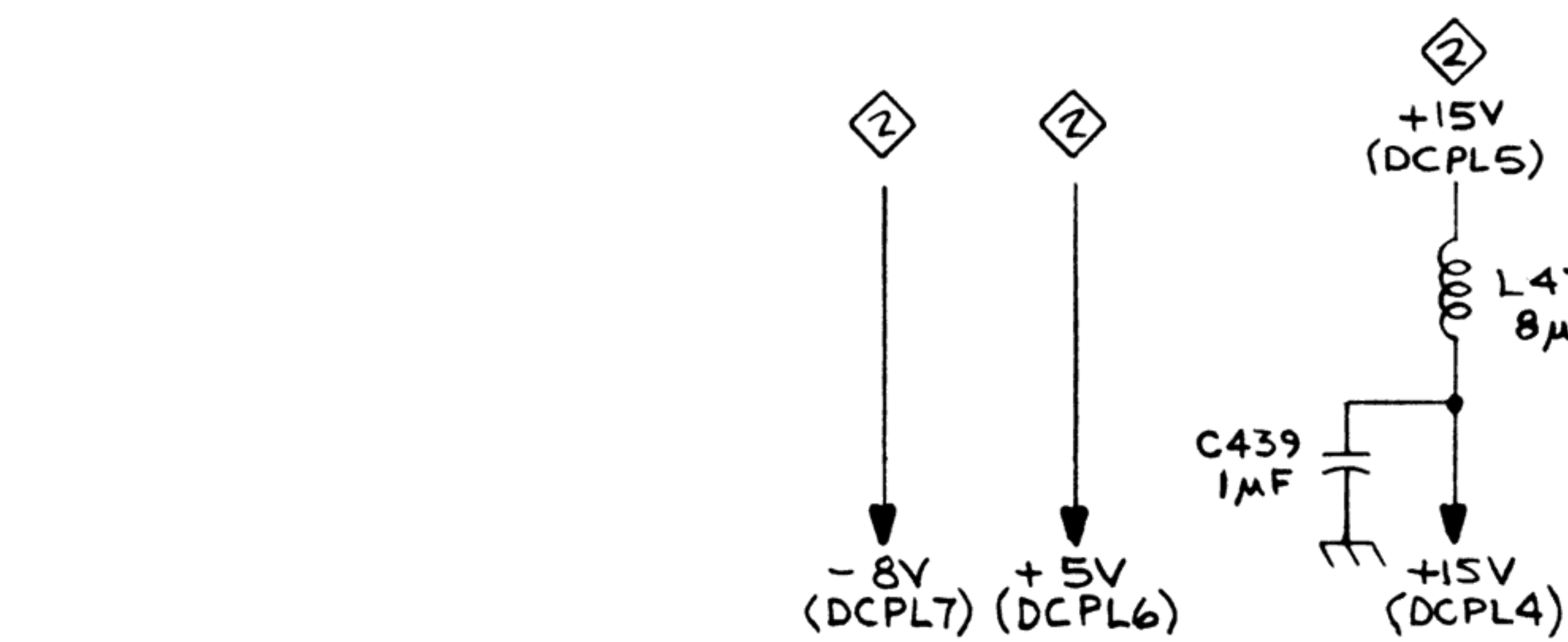
VOLTS/DIV SWITCH SHOWN IN 5mV POSITION

VOLTAGE & WAVEFORM CONDITIONS

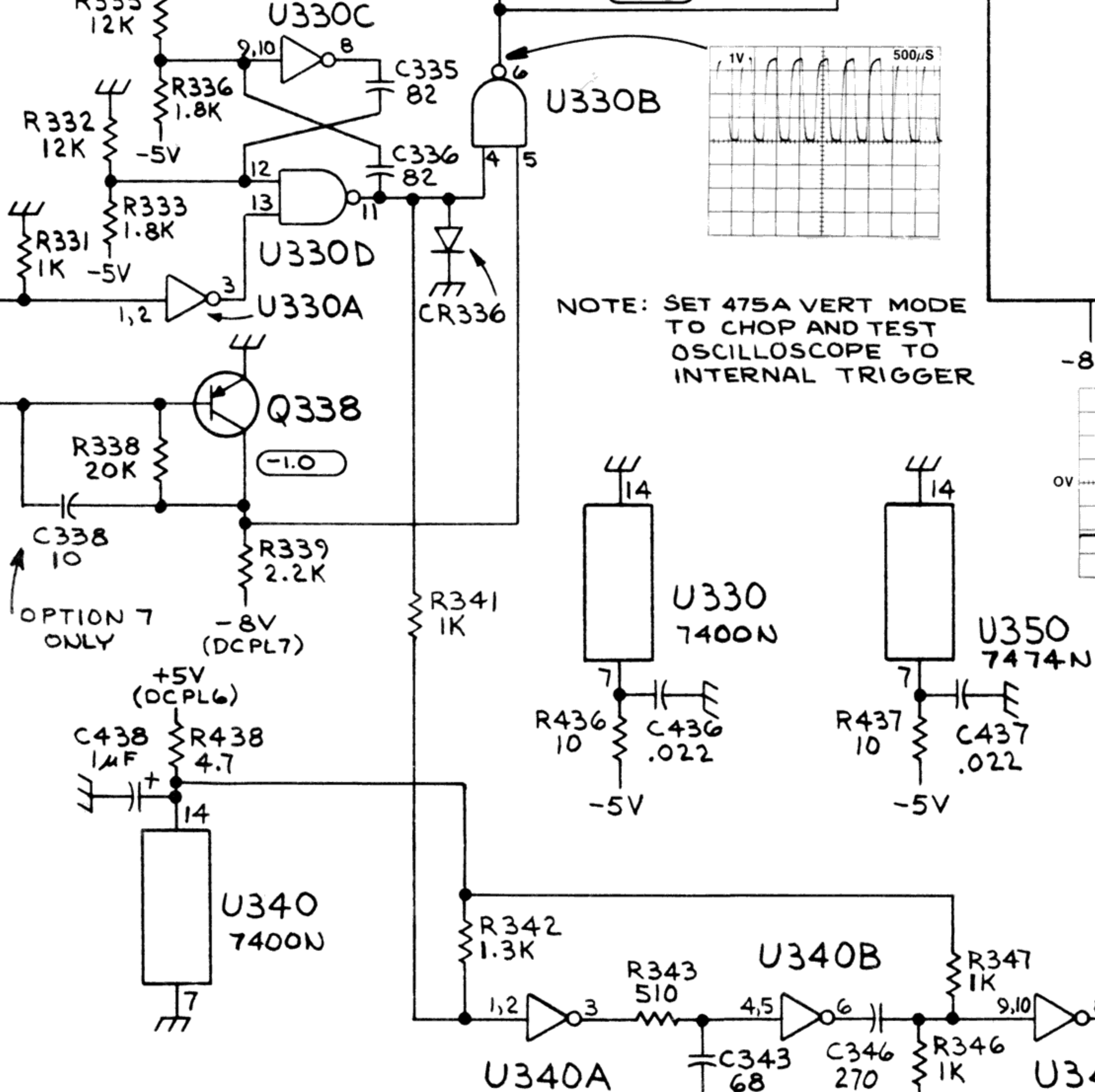
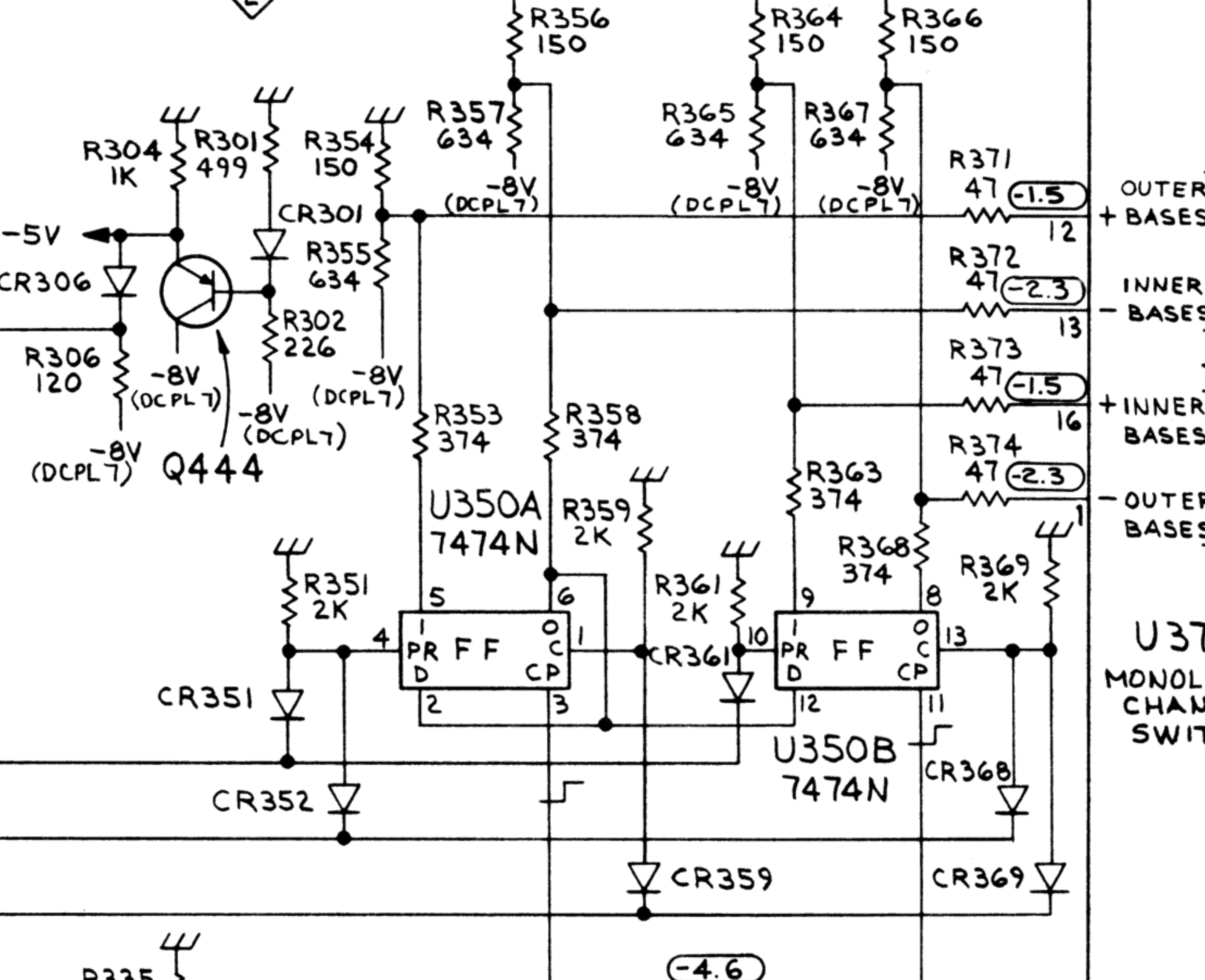
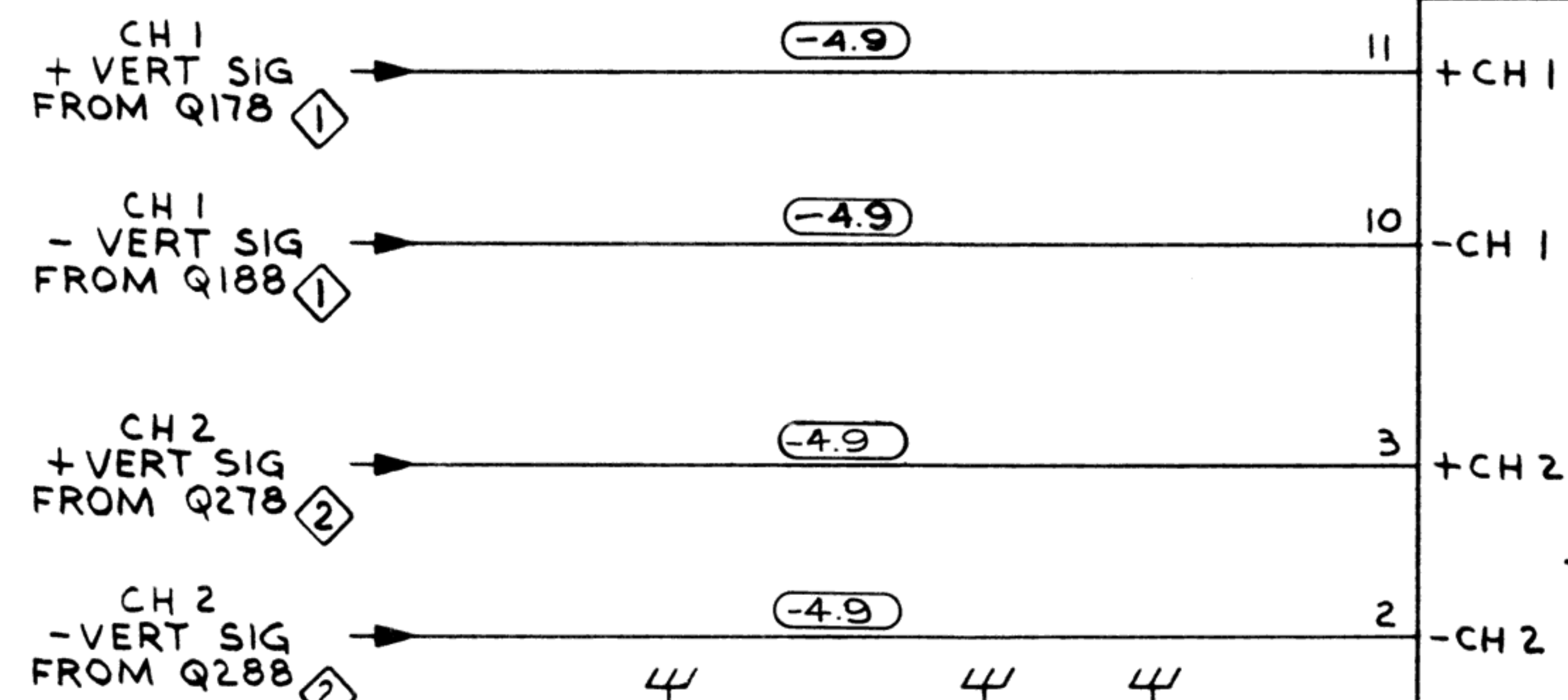
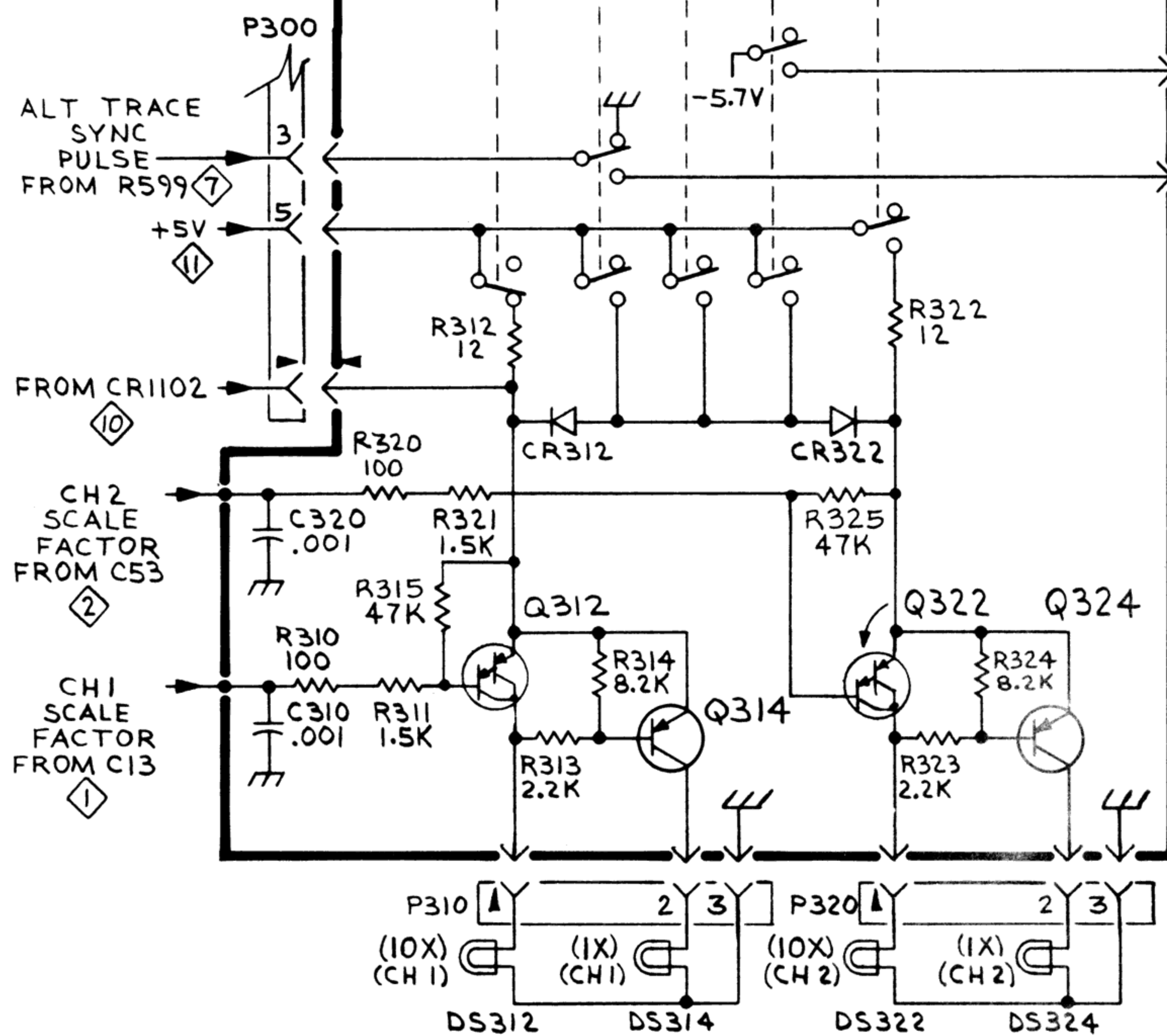
PARTIAL A4 VERTICAL MODE-GAIN SWITCH BOARD

PARTIAL A3, VERTICAL PREAMP BOARD

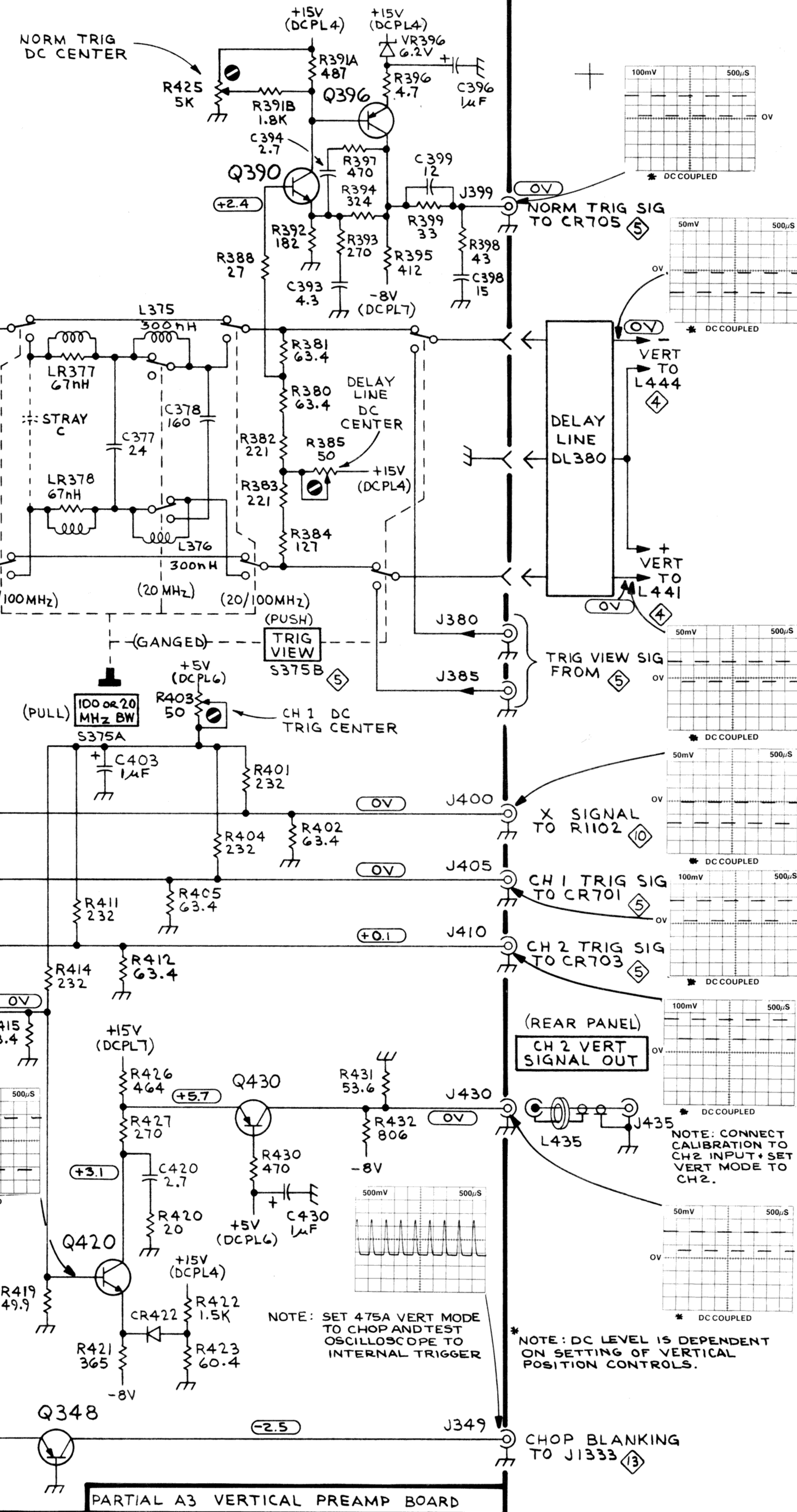
VOLTAGE & WAVEFORM CONDITIONS



PARTIAL A4 VERT MODE-GAIN SWITCH BOARD



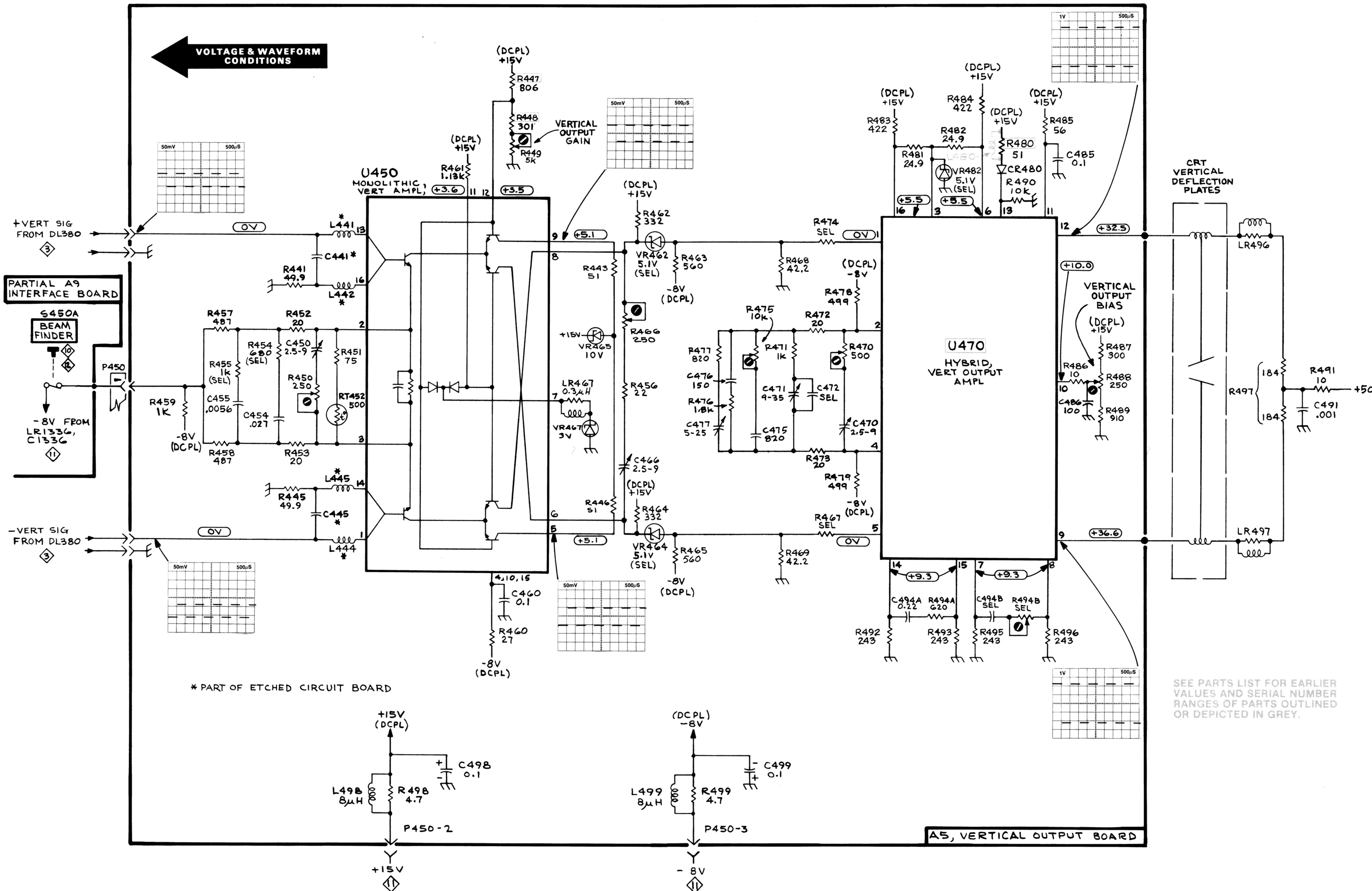
(1862)2162-35
REV A, FEB 1979



NOTE: DC LEVEL IS DEPENDENT ON SETTING OF VERTICAL POSITION CONTROLS.

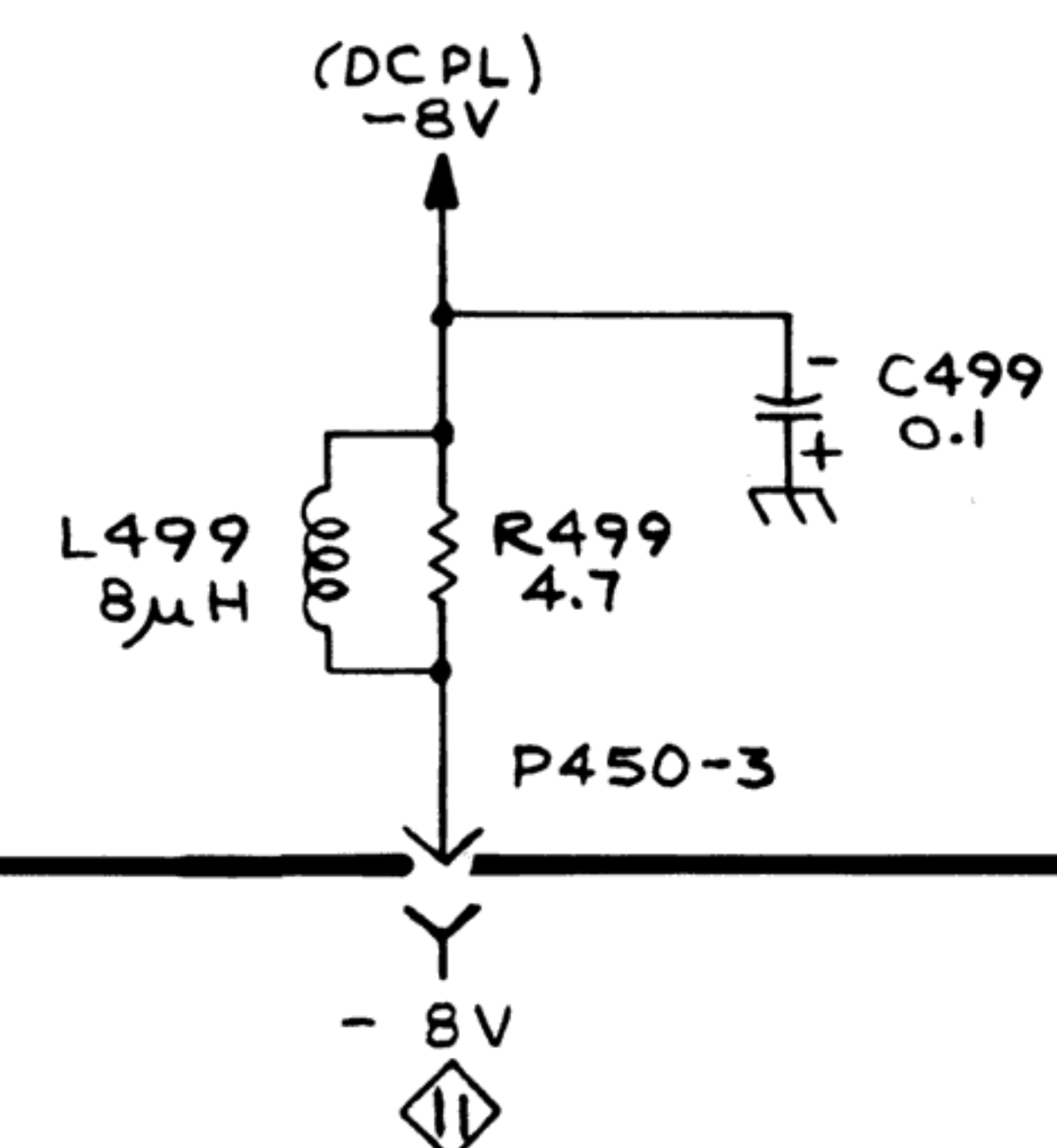
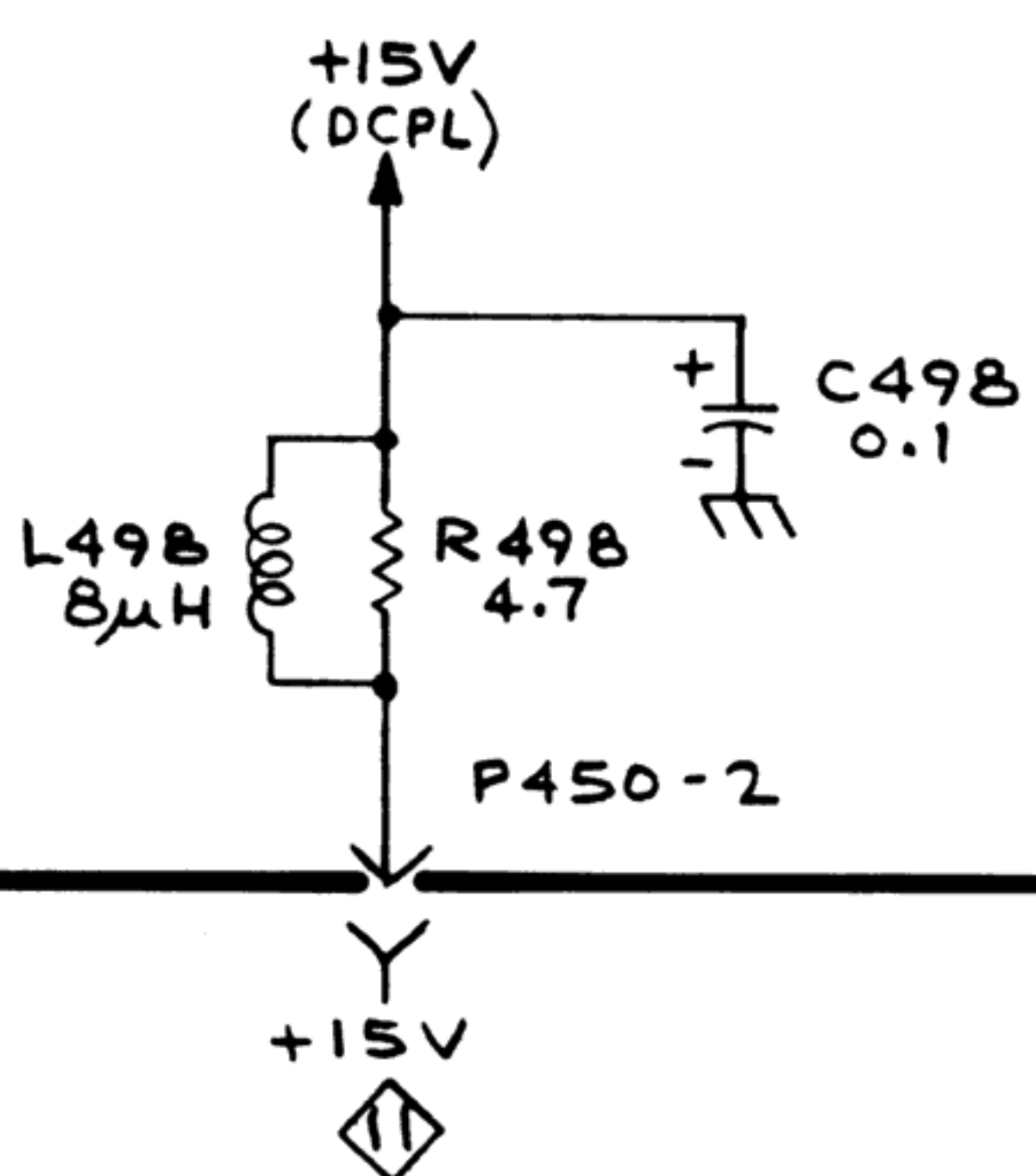
VERTICAL CHANNEL SWITCHING

VOLTAGE & WAVEFORM CONDITIONS



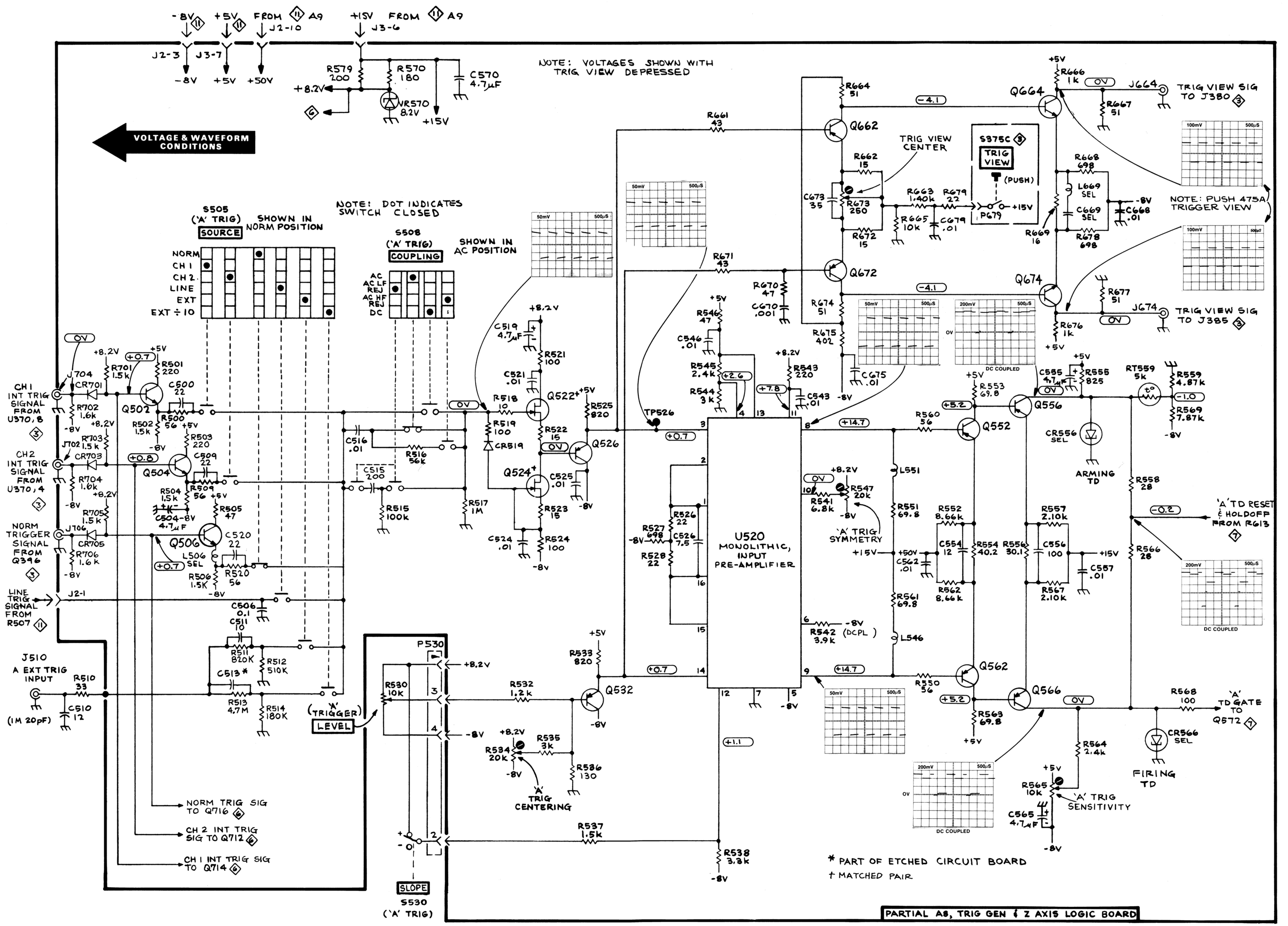
* PART OF ETCHED CIRCUIT BOARD

SEE PARTS LIST FOR EARLIER VALUES AND SERIAL NUMBER RANGES OF PARTS OUTLINED OR DEPICTED IN GREY.



AS, VERTICAL OUTPUT BOARD

2162-36
REV SEP 1982

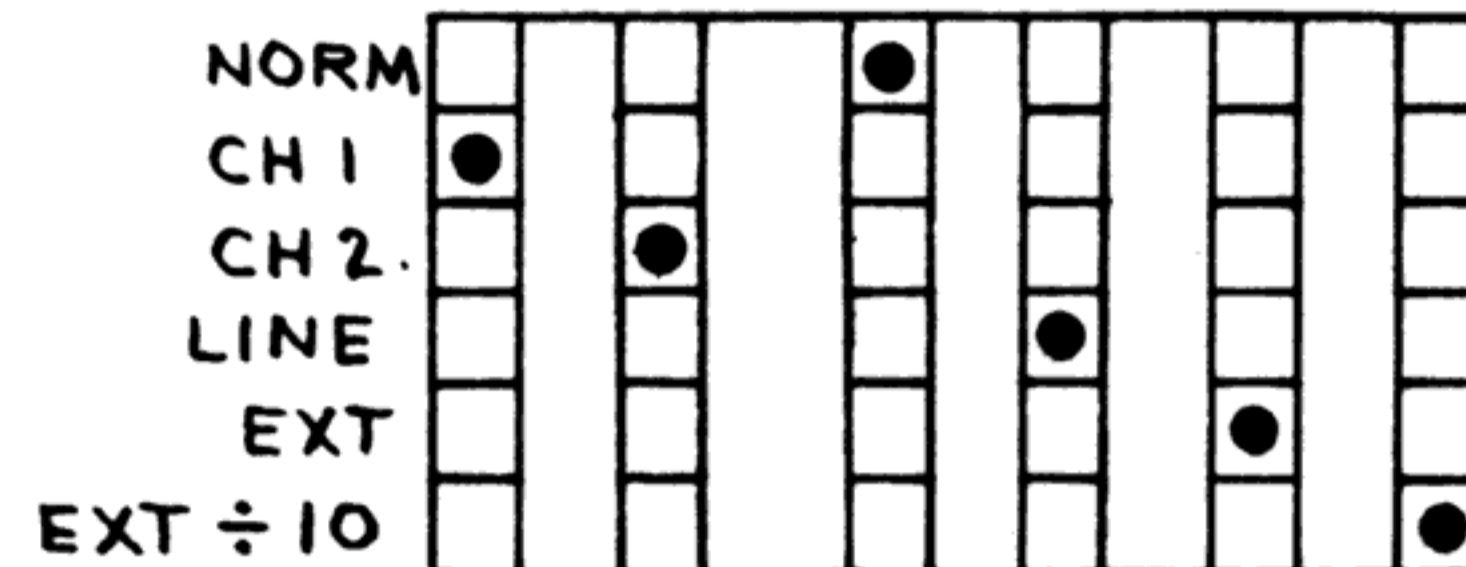


VOLTAGE & WAVEFORM CONDITIONS

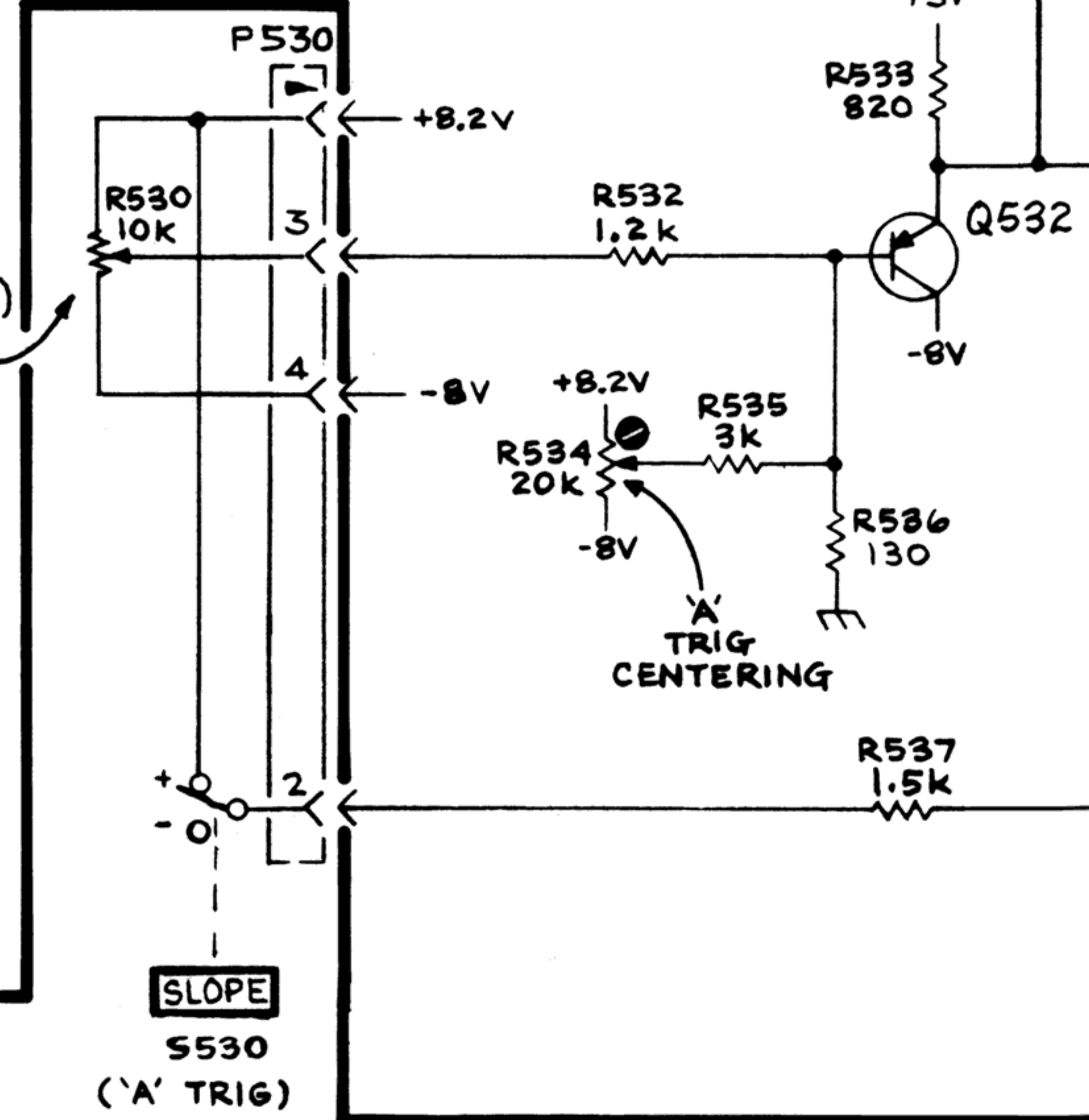
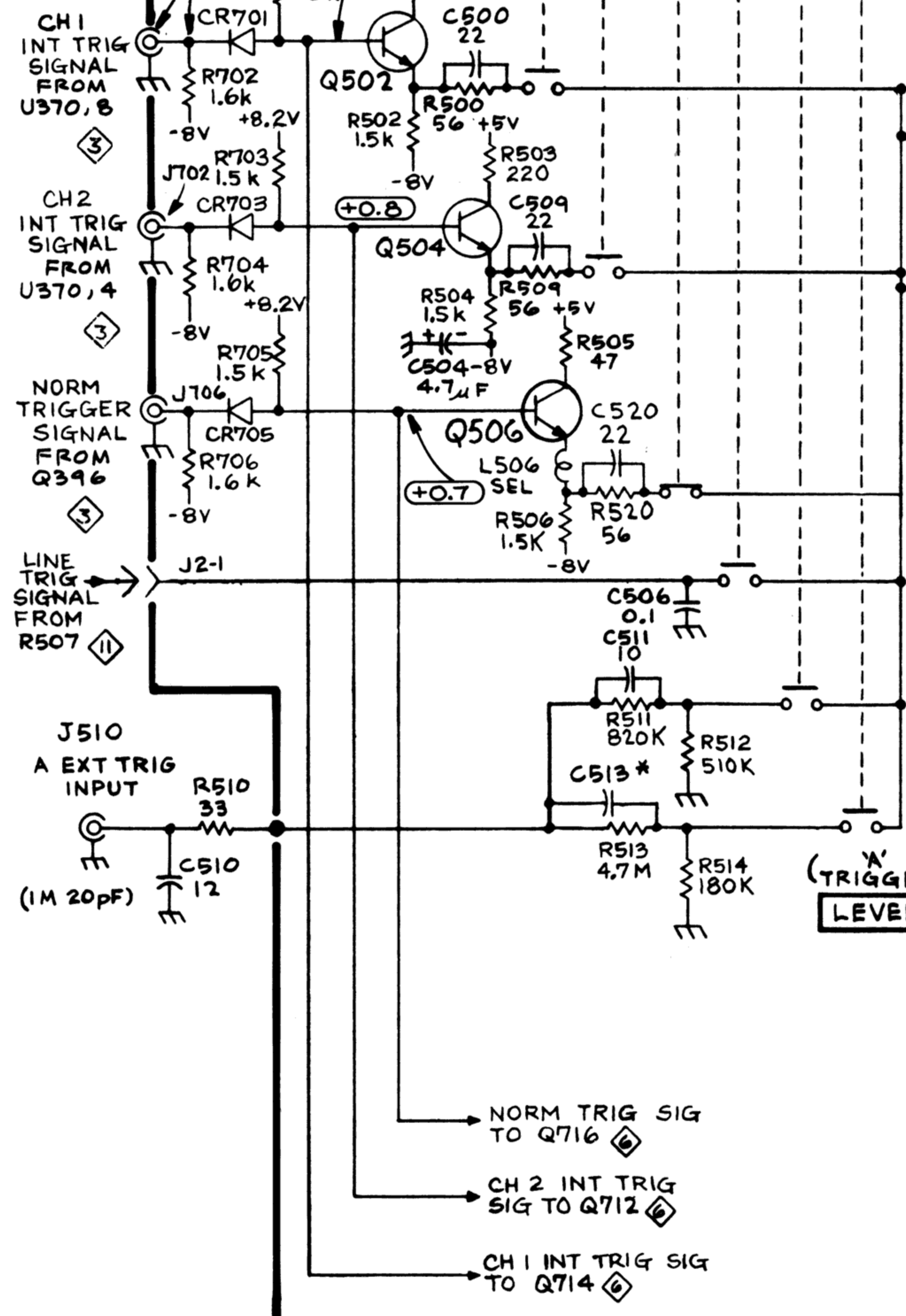
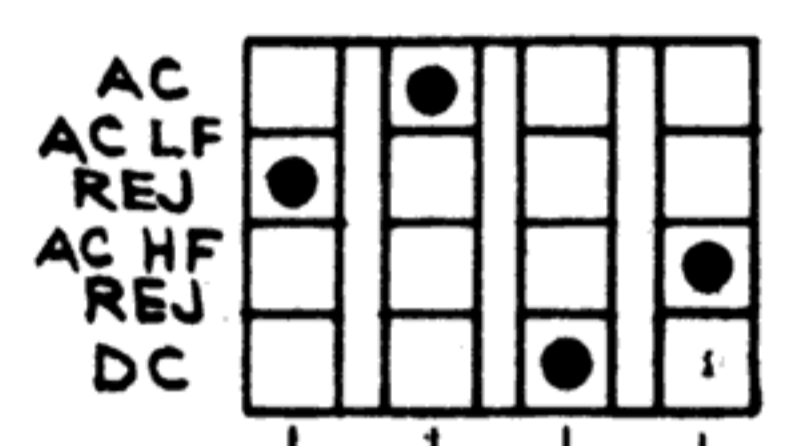
NOTE: VOLTAGES SHOWN WITH TRIG VIEW DEPRESSED

NOTE: DOT INDICATES SWITCH CLOSED

S505 ('A' TRIG) SHOWN IN NORM POSITION SOURCE

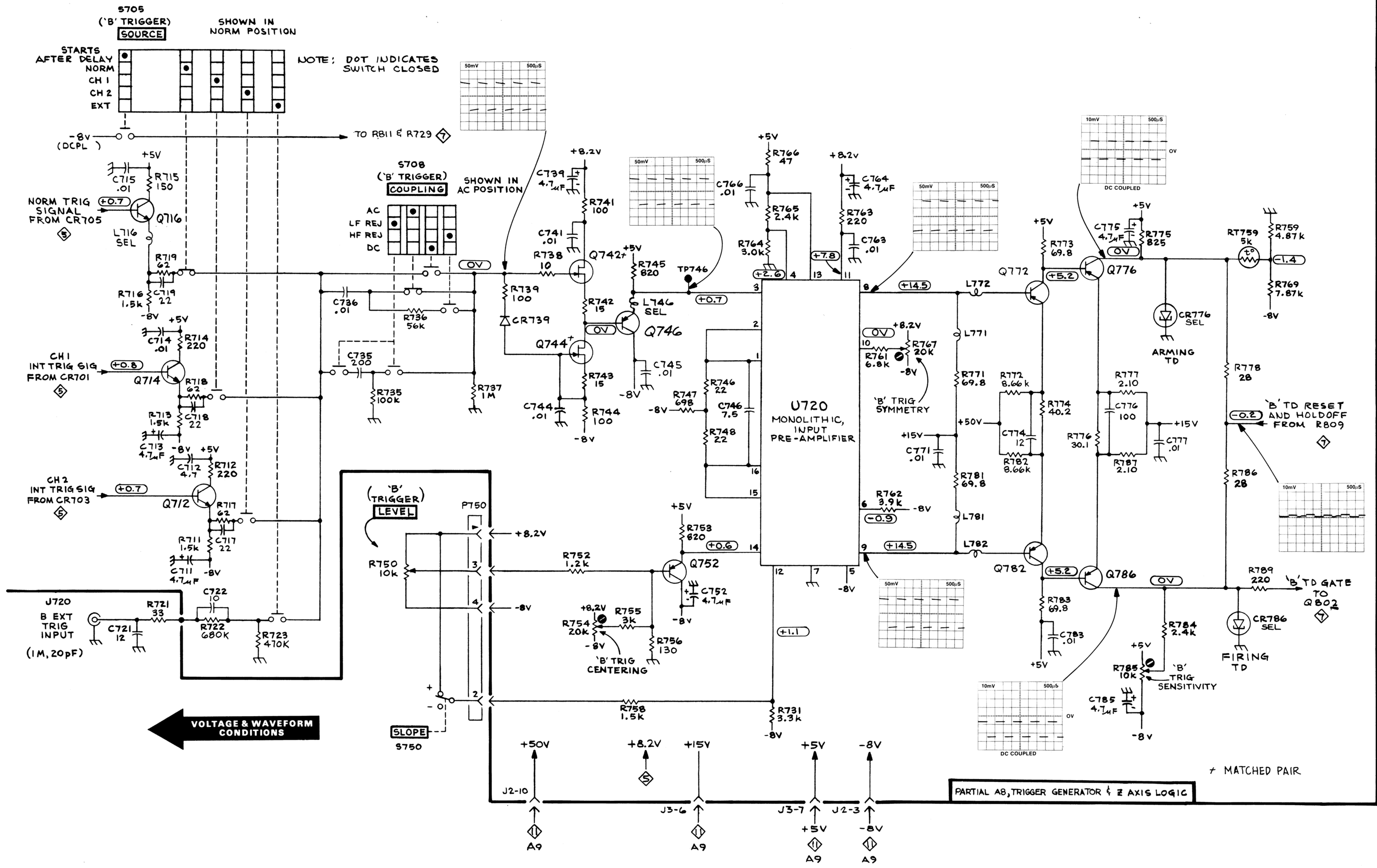


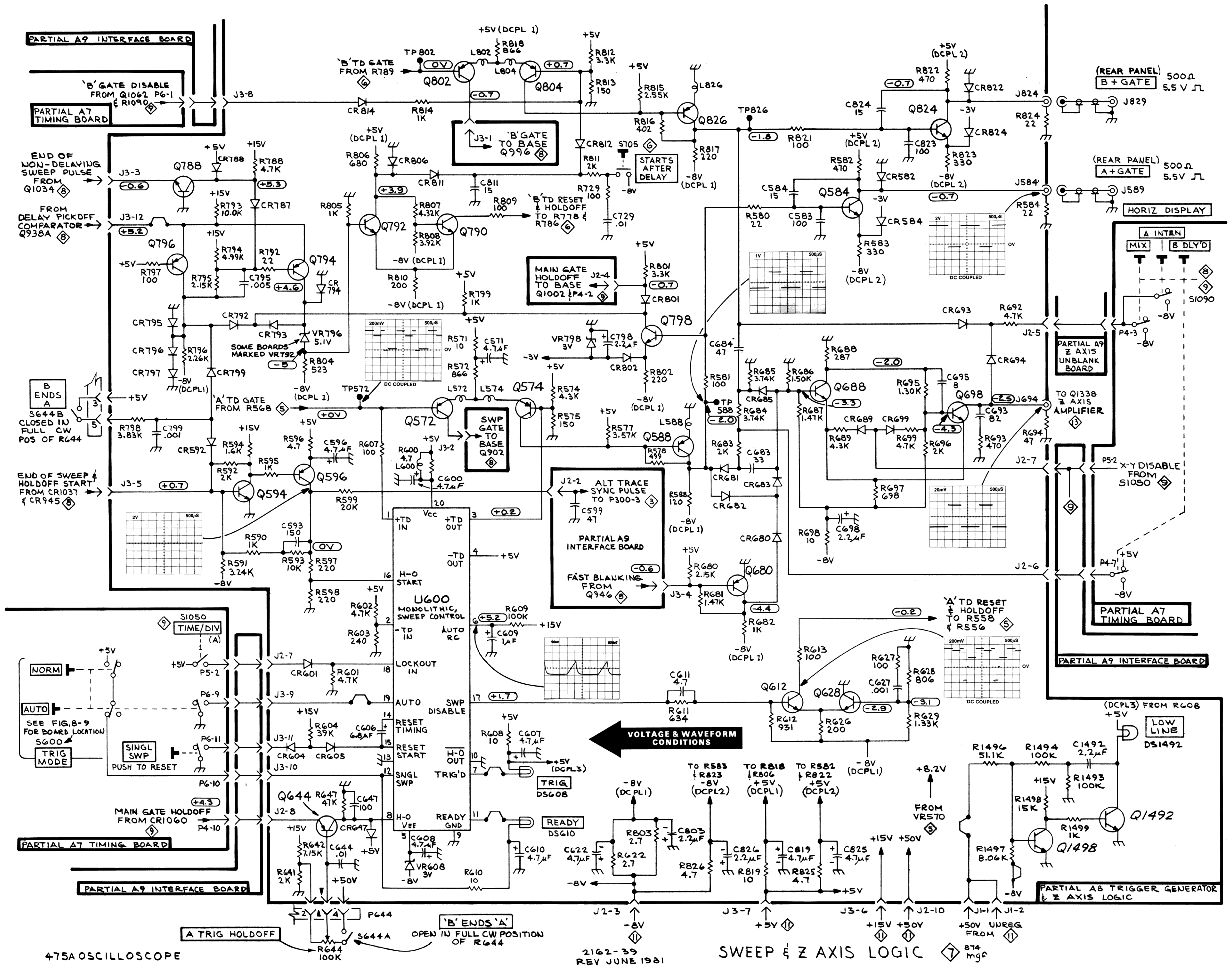
S508 ('A' TRIG) SHOWN IN AC POSITION



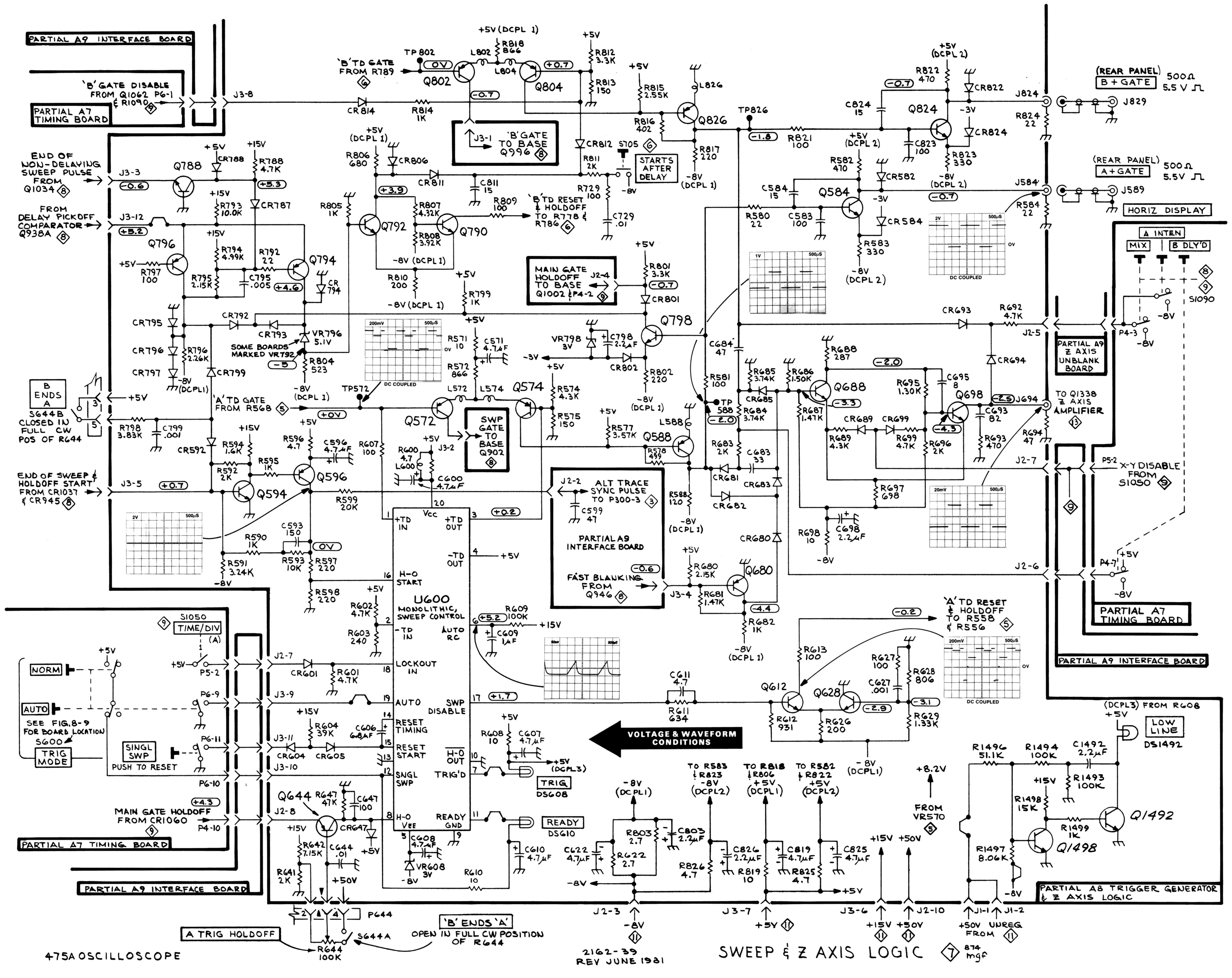
* PART OF ETCHED CIRCUIT BOARD
† MATCHED PAIR

PARTIAL A8, TRIG GEN & Z AXIS LOGIC BOARD

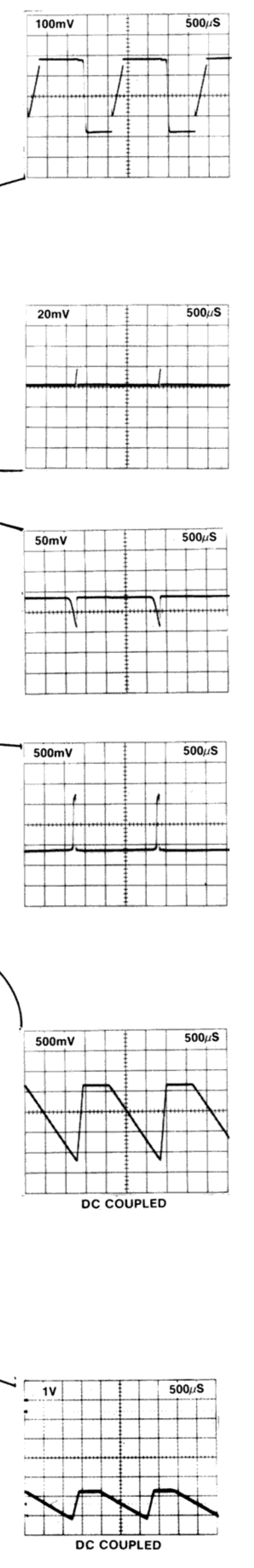
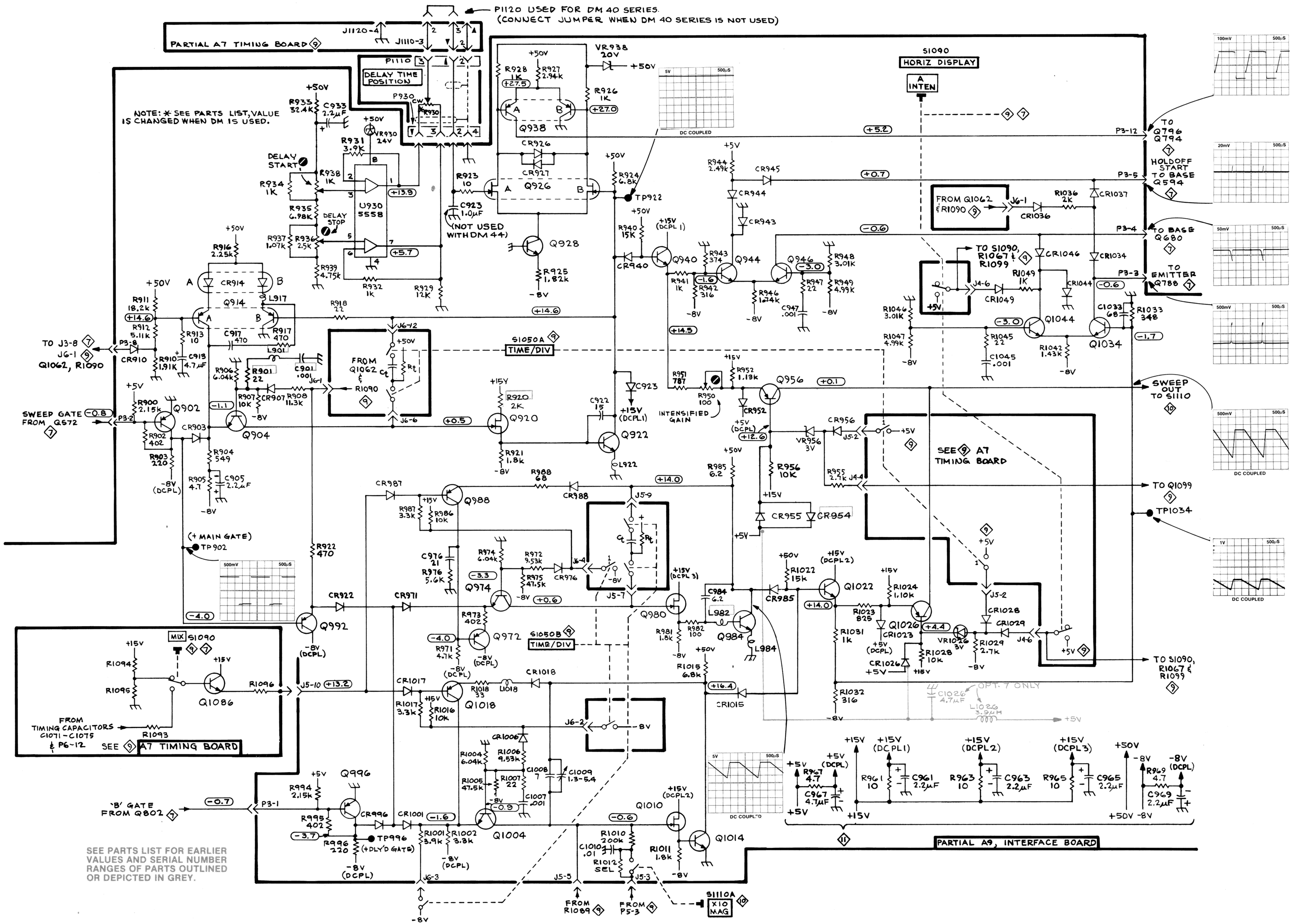




VOLTAGE & WAVEFORM CONDITIONS



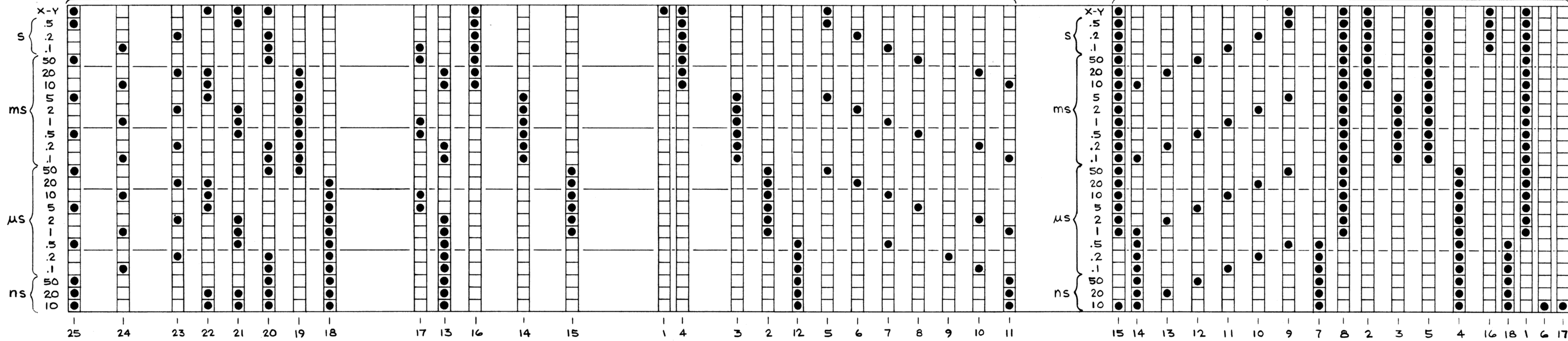
VOLTAGE & WAVEFORM CONDITIONS



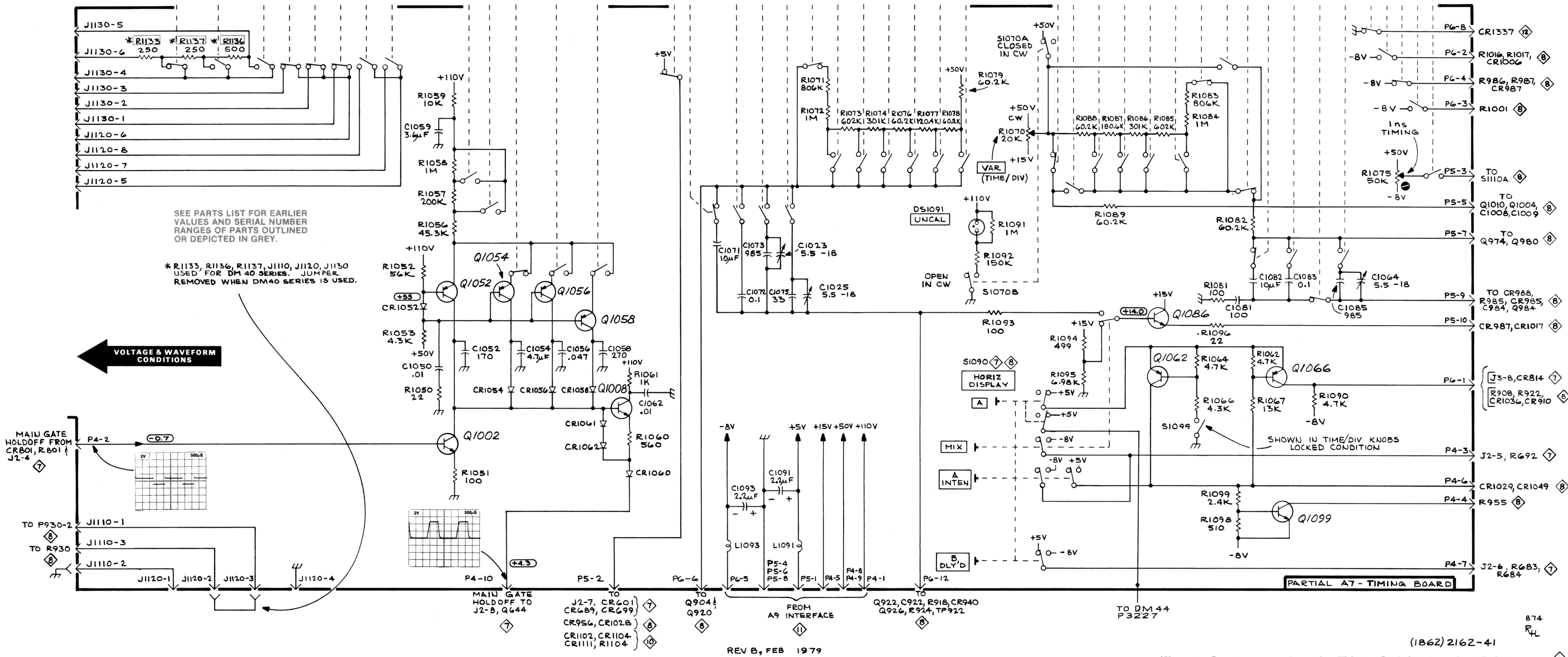
S1050
A & B TIME/DIV
AND DELAY TIME
SWITCH SHOWN IN X-Y POSITION

DELAYING SWEEP
(FRONT CAM OF S1050)

NON-DELAYING SWEEP
(REAR CAM OF S1050)



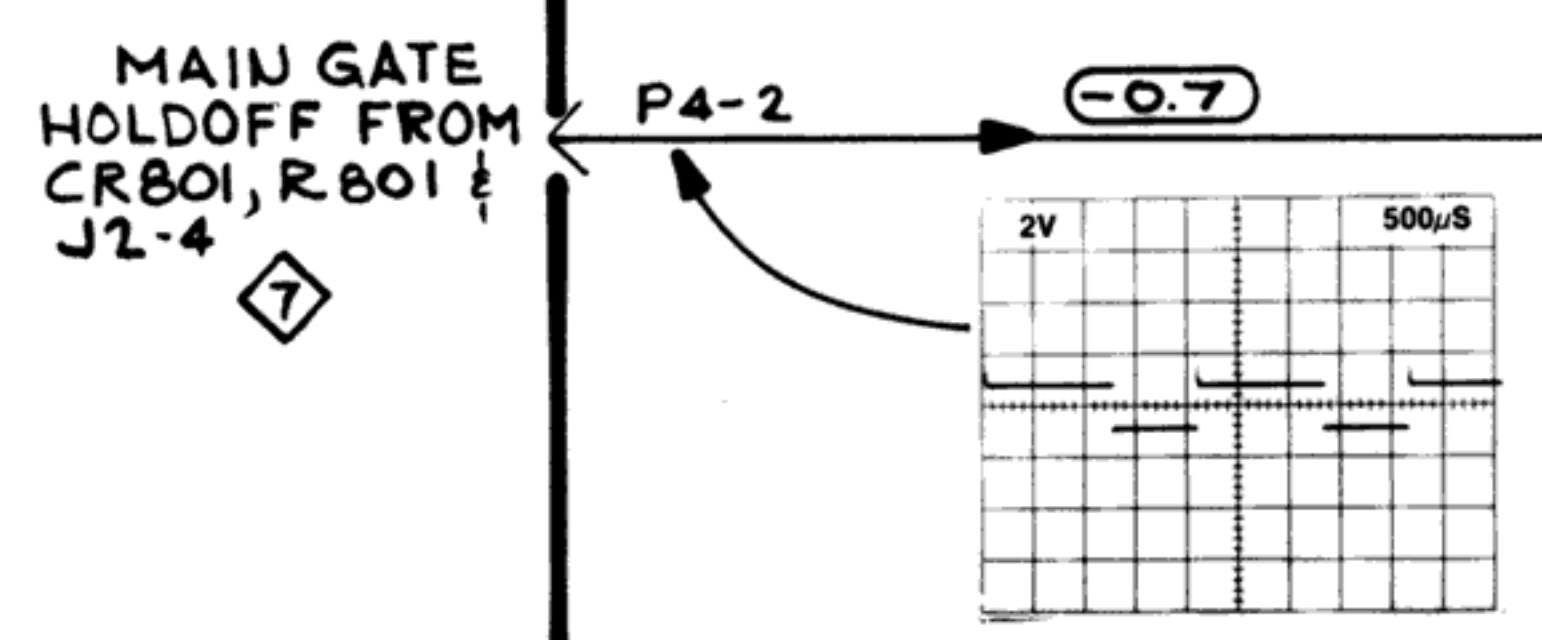
NOTE:
DOT INDICATES
SWITCH CLOSED



SEE PARTS LIST FOR EARLIER
VALUES AND SERIAL NUMBER
RANGES OF PARTS OUTLINED
OR DEPICTED IN GREY.

* R1133, R1136, R1137, J1110, J1120, J1130
USED FOR DM 40 SERIES. JUMPER
REMOVED WHEN DM40 SERIES IS USED.

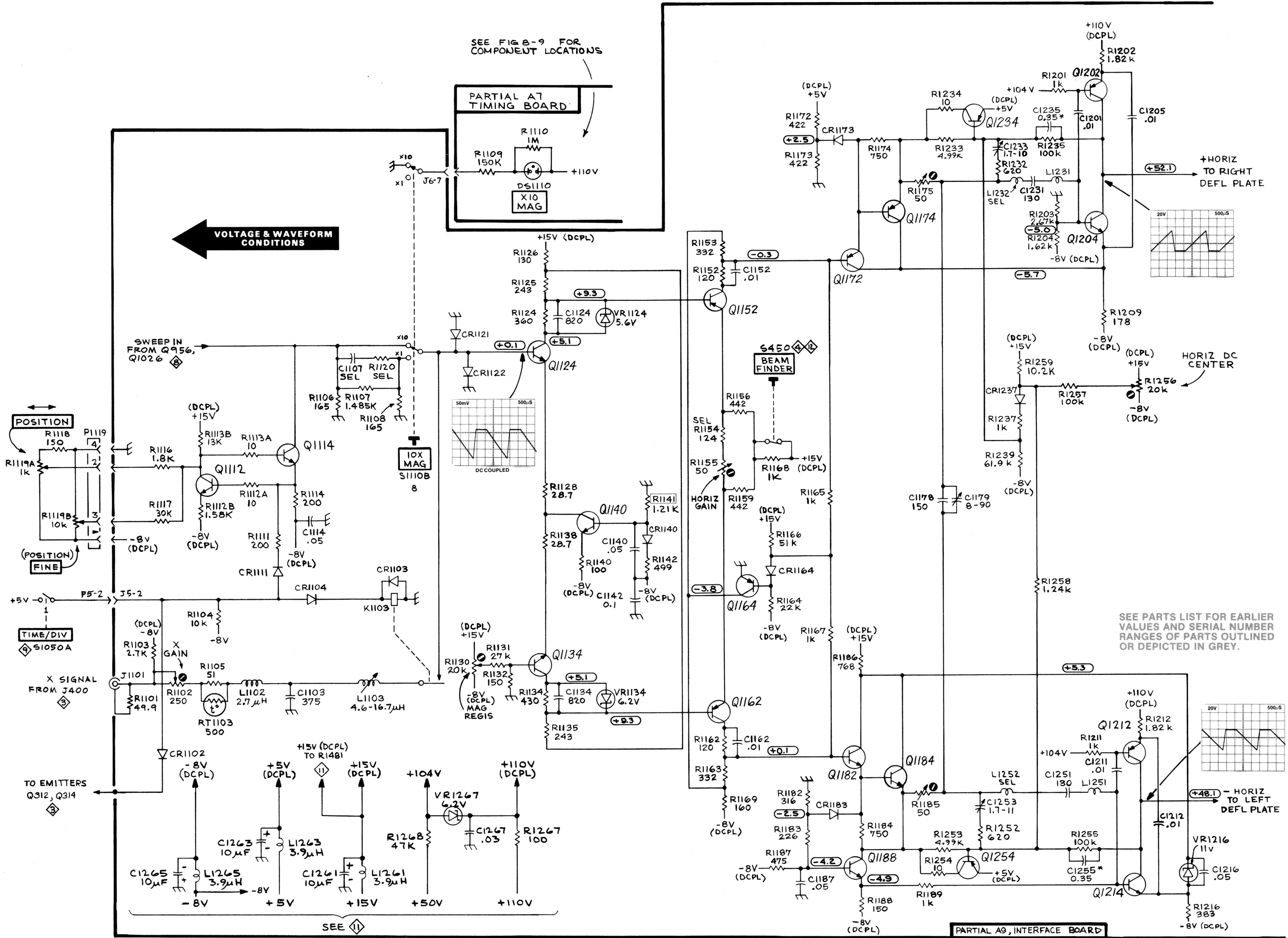
VOLTAGE & WAVEFORM
CONDITIONS



REV B, FEB 1979

(1862) 2162-41

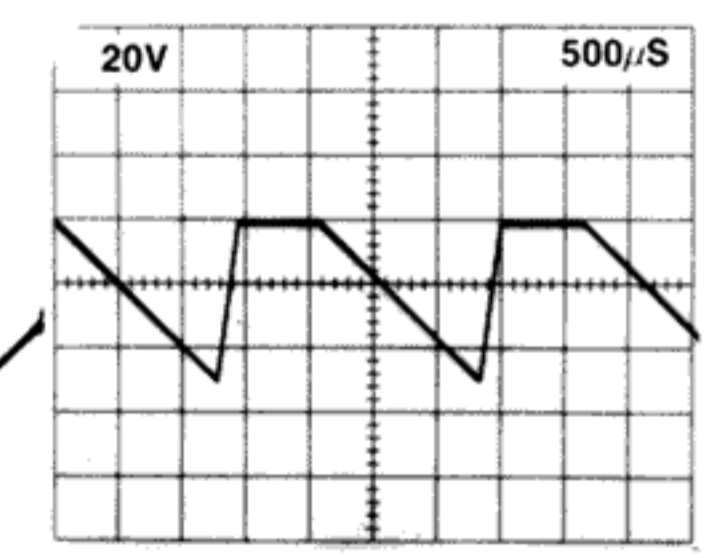
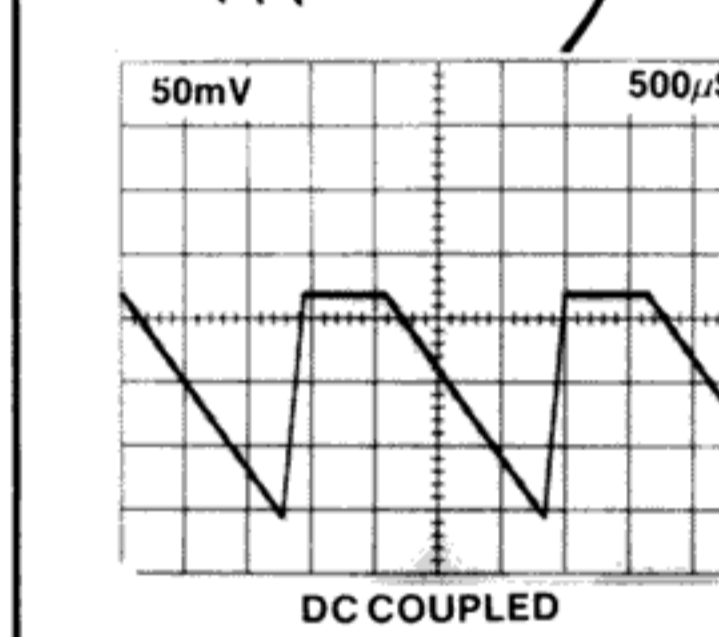
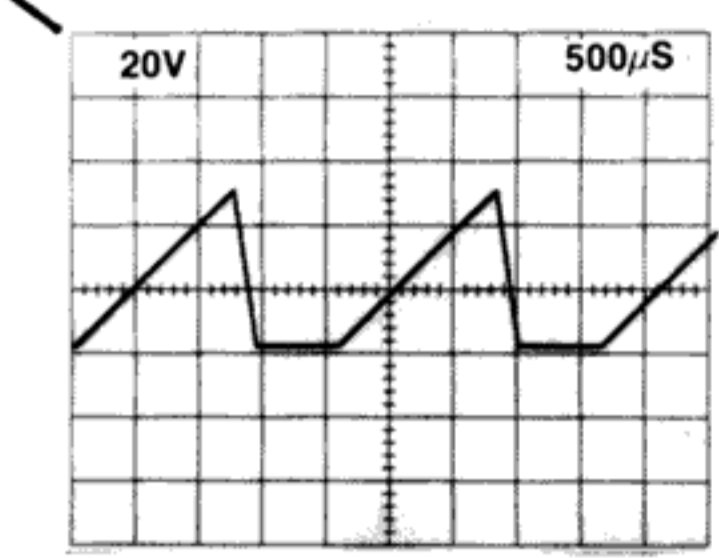
TIMING AND HORIZONTAL DISPLAY SWITCHING



SEE FIG 8-9 FOR COMPONENT LOCATIONS

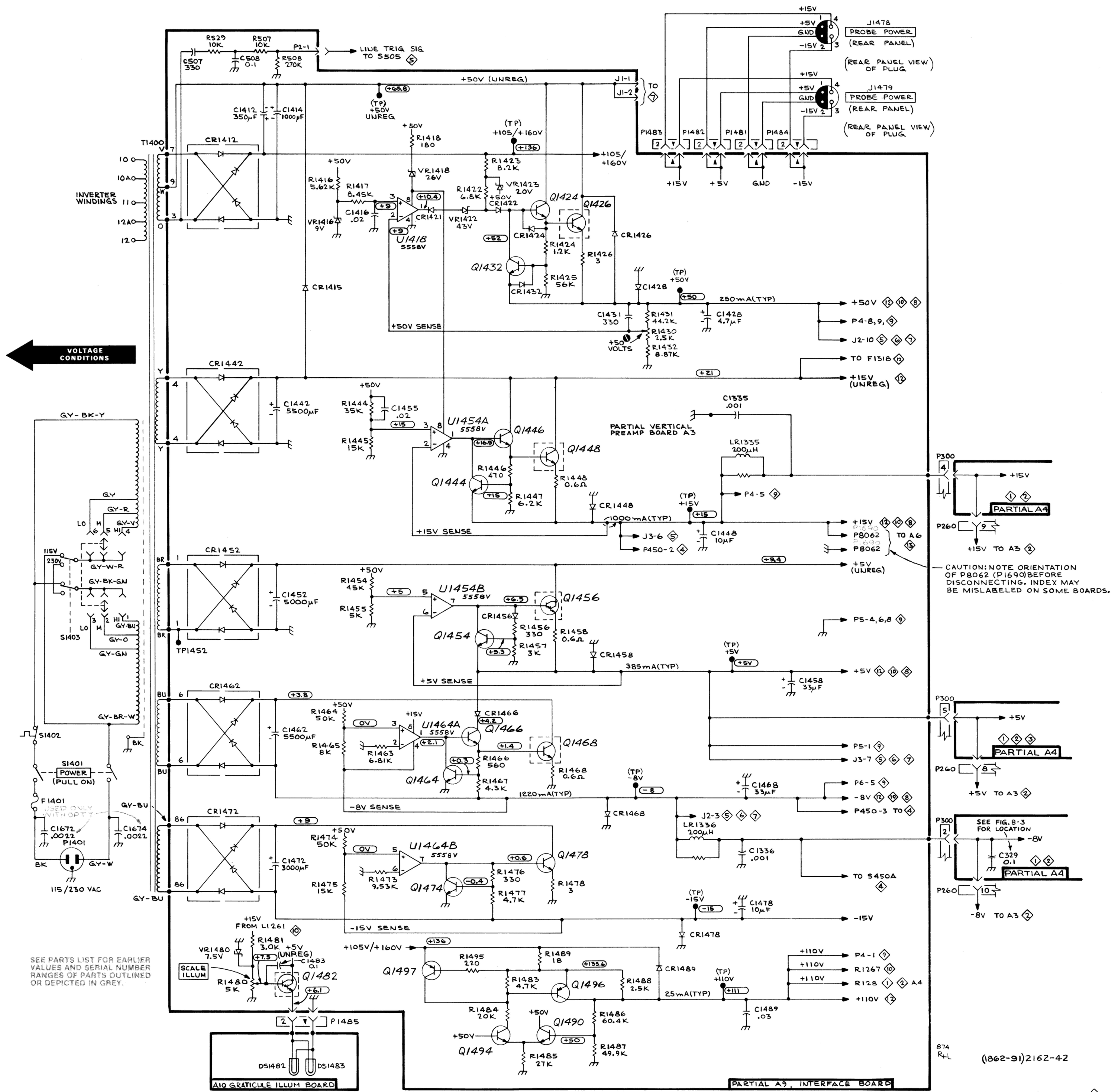
PARTIAL A7
TIMING BOARD

VOLTAGE & WAVEFORM
CONDITIONS

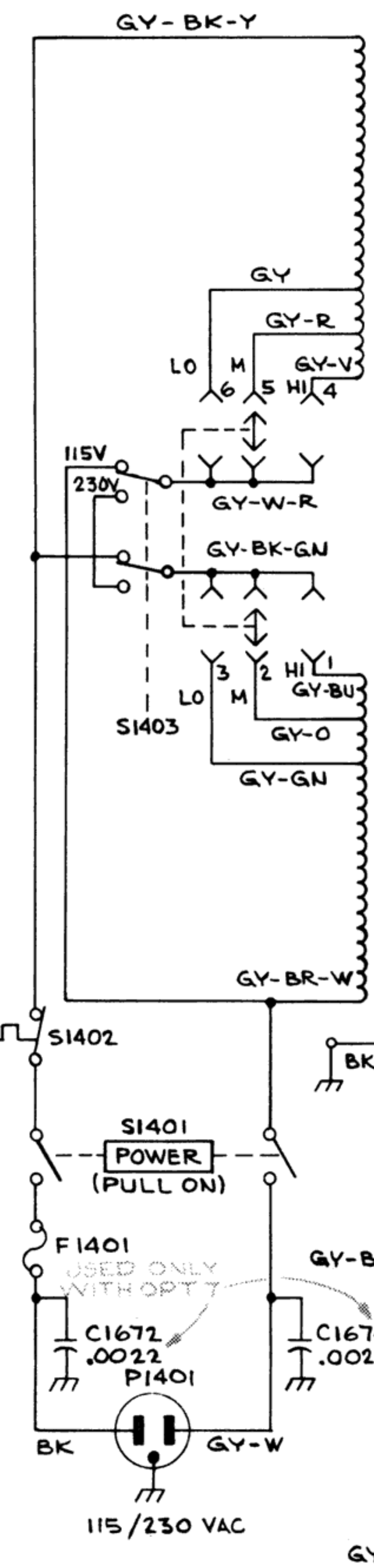


SEE PARTS LIST FOR EARLIER VALUES AND SERIAL NUMBER RANGES OF PARTS OUTLINED OR DEPICTED IN GREY.

PARTIAL A9, INTERFACE BOARD

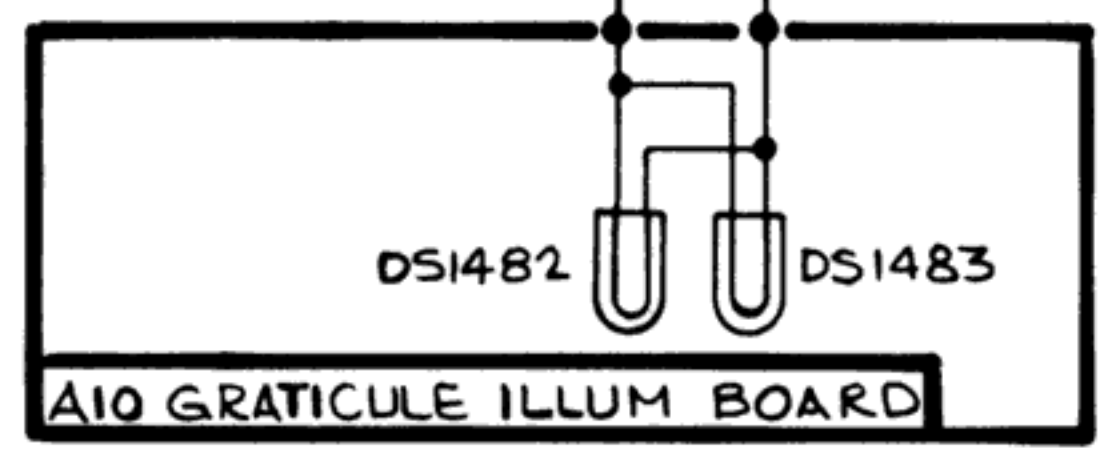


VOLTAGE CONDITIONS

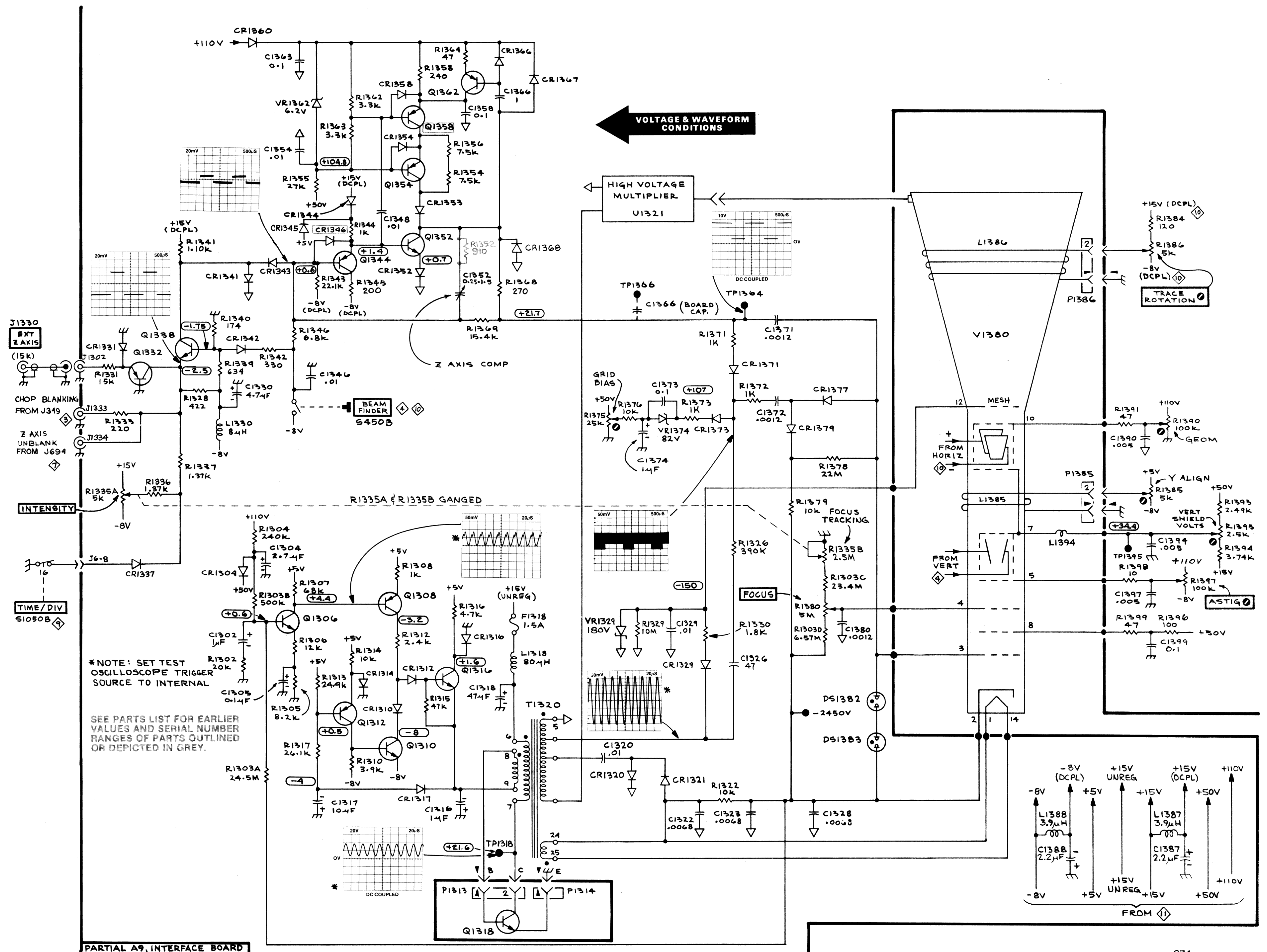


SEE PARTS LIST FOR EARLIER VALUES AND SERIAL NUMBER RANGES OF PARTS OUTLINED OR DEPICTED IN GREY.

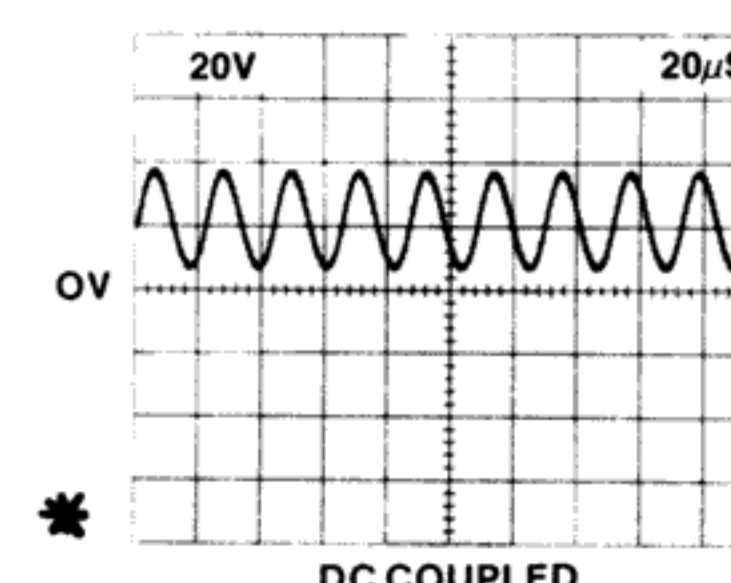
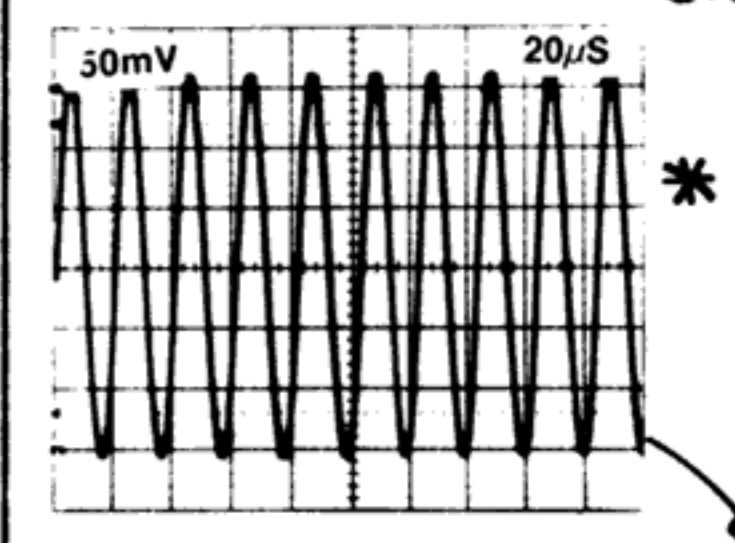
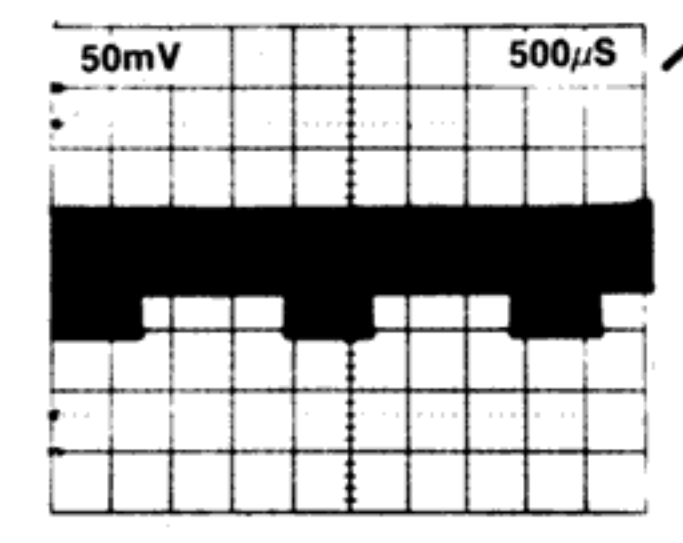
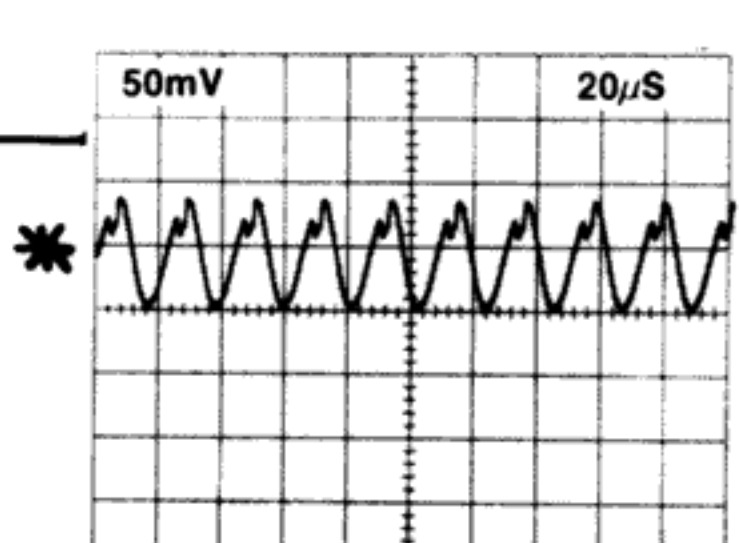
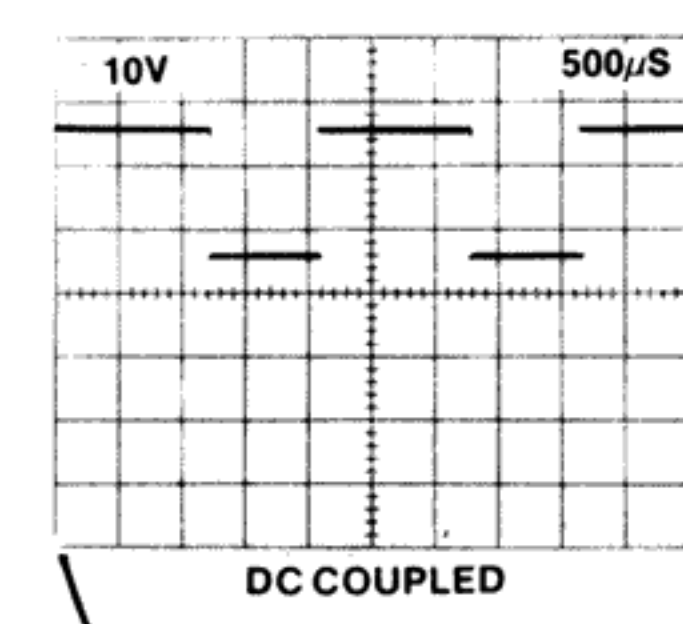
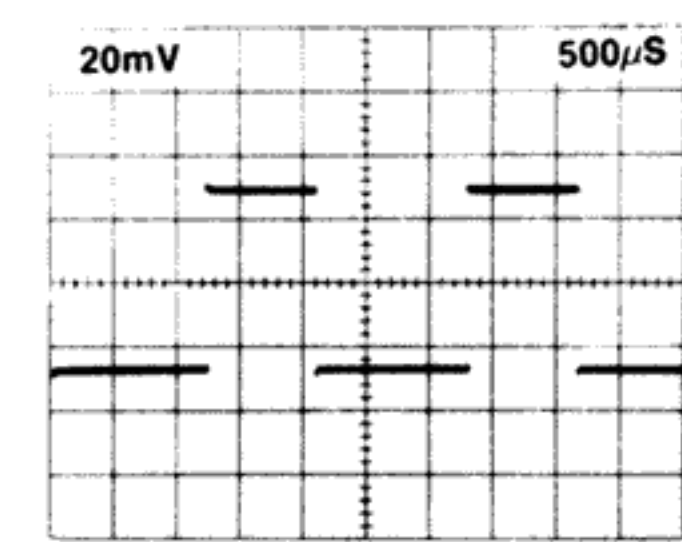
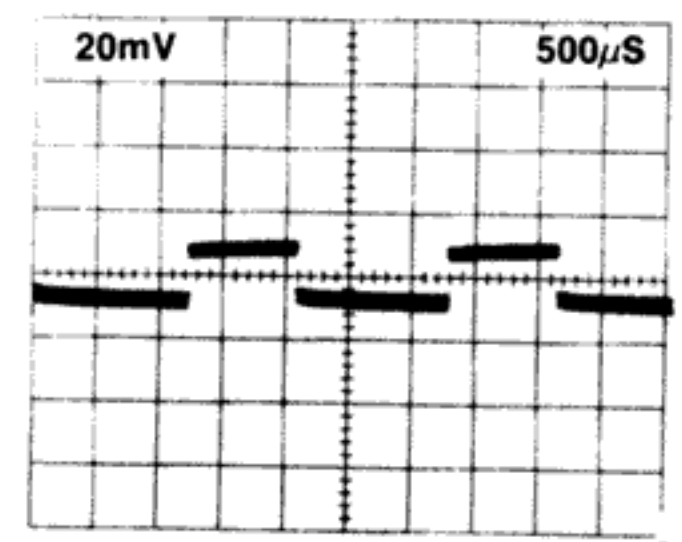
CAUTION: NOTE ORIENTATION OF P8062 (P1690) BEFORE DISCONNECTING. INDEX MAY BE MISLABELED ON SOME BOARDS.



PARTIAL A9, INTERFACE BOARD



VOLTAGE & WAVEFORM CONDITIONS



*NOTE: SET TEST OSCILLOSCOPE TRIGGER SOURCE TO INTERNAL

SEE PARTS LIST FOR EARLIER VALUES AND SERIAL NUMBER RANGES OF PARTS OUTLINED OR DEPICTED IN GREY.

PARTIAL A9, INTERFACE BOARD

VOLTAGE & WAVEFORM
CONDITIONS

